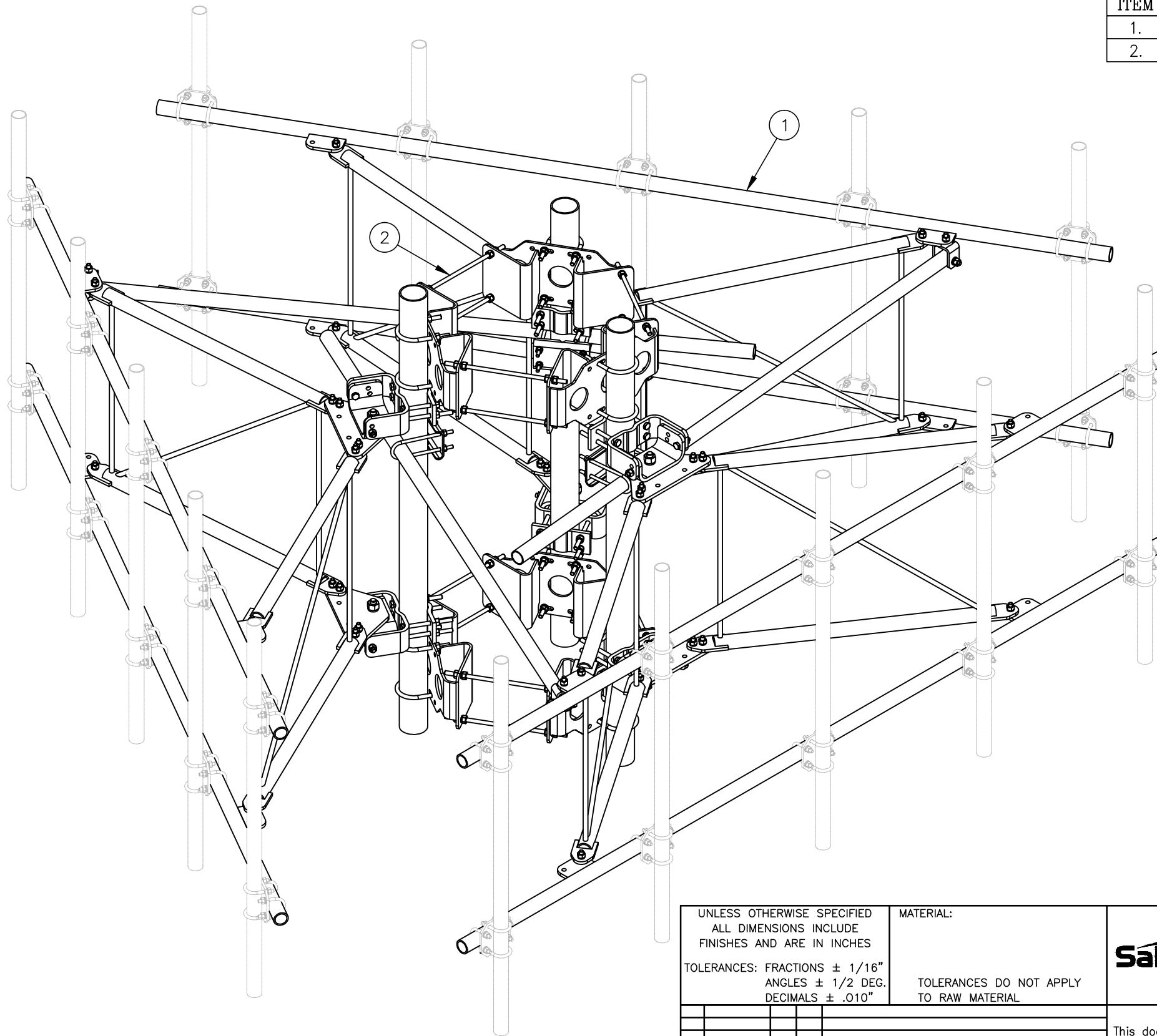


C10857801 12' HD V-BOOM ASSEMBLIES W/TIEBACK

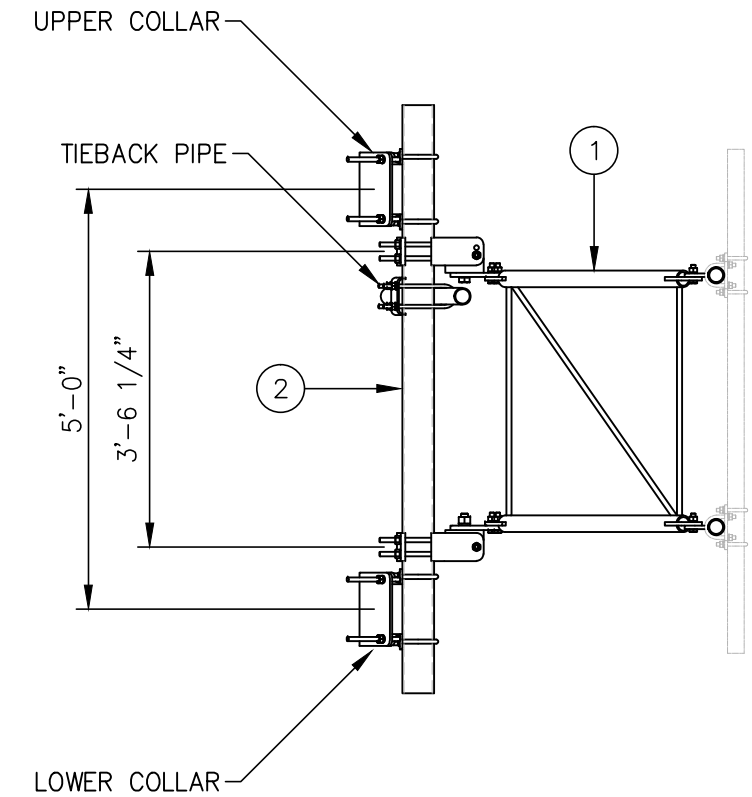
ITEM	QTY.	PART NO.	DESCRIPTION	WEIGHT
1.	3	C10857001C	12' HD V-BOOM ASSEMBLY W/TIE BACK	1386
2.	1	C10899050	4 1/2" O.D. MONOPOLE PIPE MOUNT ASSEMBLY	678
TOTAL WEIGHT				2064



ISOMETRIC VIEW

NOTES:

1. MOUNTING PIPES & CROSSOVER PLATE KITS MUST BE PURCHASED SEPARATELY.
2. SEE DRAWING C10857001C FOR 12' V-BOOM ASSEMBLY.
3. SEE DRAWING C10899050 FOR 4 1/2" O.D. MONOPOLE PIPE MOUNT ASSEMBLY.



VIEW A-A  
FROM PAGE 2

UNLESS OTHERWISE SPECIFIED  
ALL DIMENSIONS INCLUDE  
FINISHES AND ARE IN INCHES

TOLERANCES: FRACTIONS ± 1/16"  
ANGLES ± 1/2 DEG.  
DECIMALS ± .010"

MATERIAL:

TOLERANCES DO NOT APPLY  
TO RAW MATERIAL



**CONFIDENTIAL**  
This document and the information  
contained herein is the confidential trade  
secret property of Sabre Communications  
Corporation ("Sabre") and must not be  
reproduced, copied or used, in whole or in  
part, for any purpose without the prior  
written consent of Sabre.  
© 2018 Sabre Communications Corporation.  
All rights reserved.

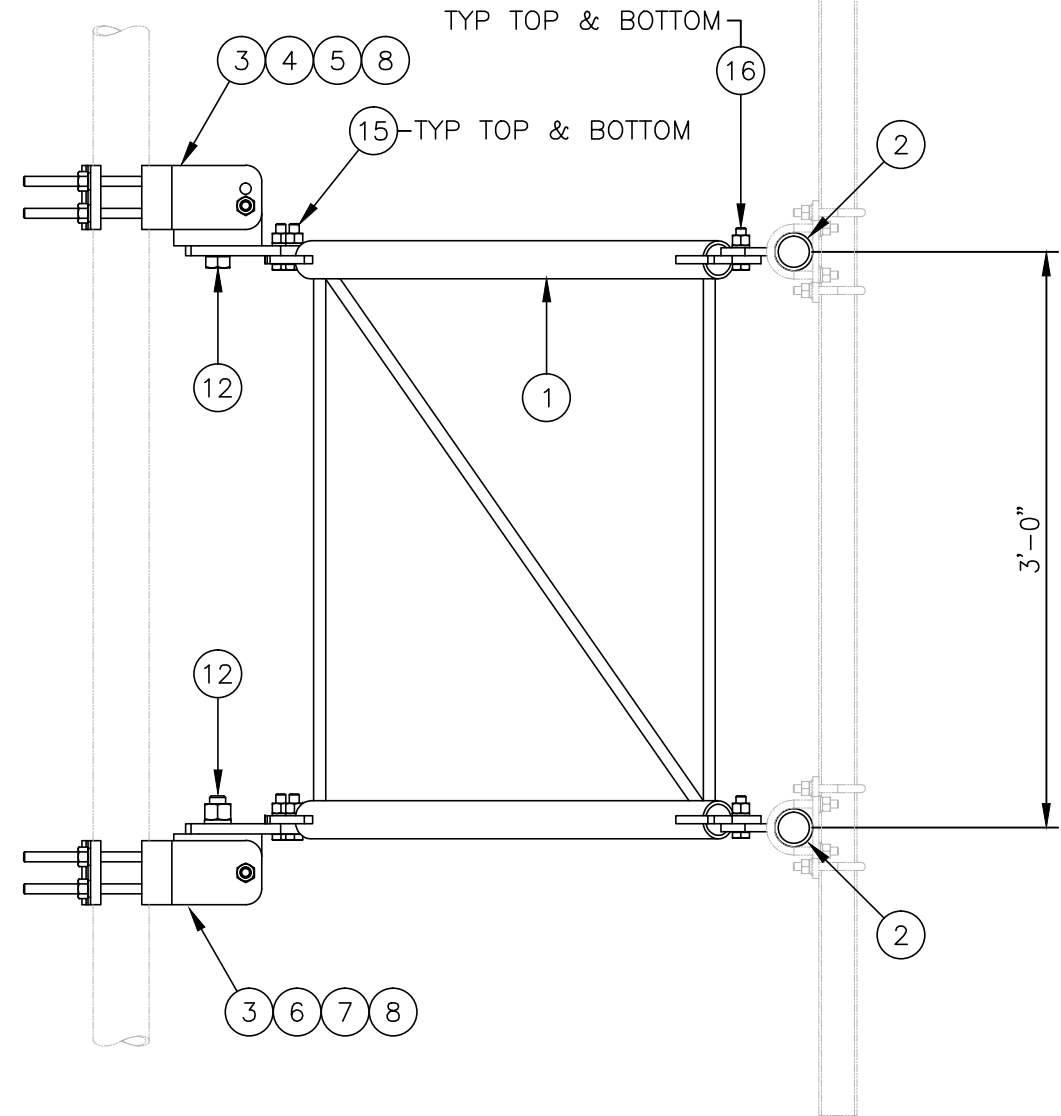
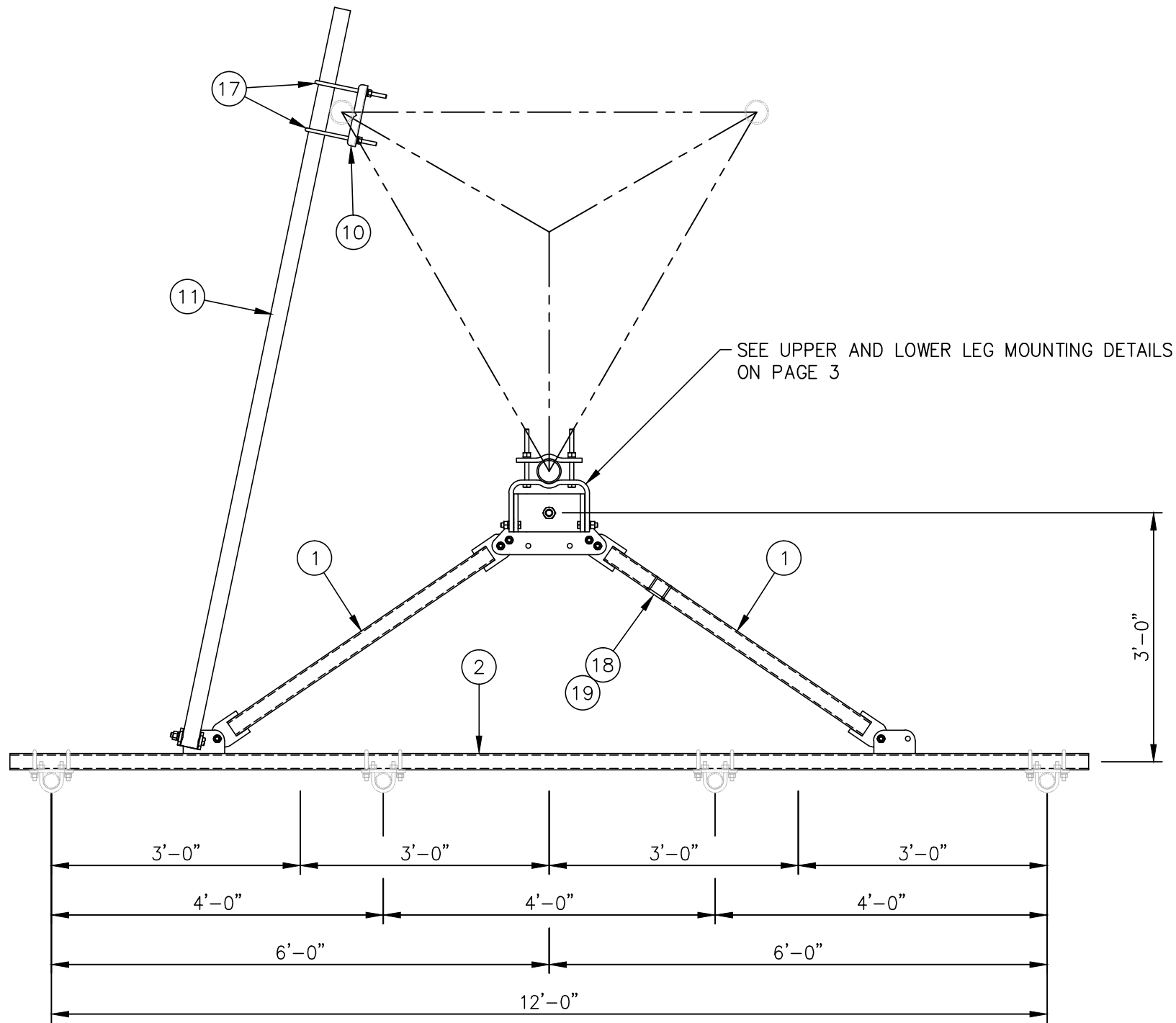
12' HD V-BOOM ASSEMBLY W/TIEBACK  
(3' STANDOFF)  
ON MONOPOLE PIPE MOUNT ASSEMBLY  
W/NO ANTENNA MOUNTING PIPES

REV	DATE	DRW	CHK	DESCRIPTION

DATE	09/24/18	SIZE	B	DRAWING NO.	C10857801	REV	0
DRAWN BY	WRF	SCALE	None	PAGE	1 OF 2		
CHECKED BY	WMN						







SIDE VIEW

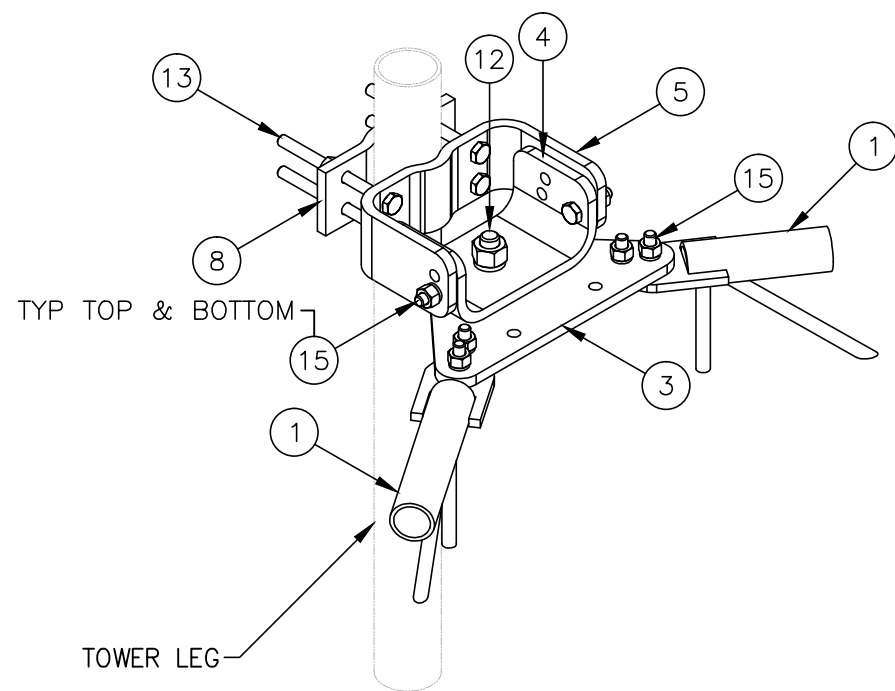
**MOUNTING OPTIONS**  
SHOWING MOUNTING PIPE PLACEMENTS

UNLESS OTHERWISE SPECIFIED ALL DIMENSIONS INCLUDE FINISHES AND ARE IN INCHES				MATERIAL:	
TOLERANCES: FRACTIONS ± 1/16" ANGLES ± 1/2 DEG. DECIMALS ± .010"				TOLERANCES DO NOT APPLY TO RAW MATERIAL	
REV	DATE	DRW	CHK	DESCRIPTION	
4	04/11/17	KLE	EK	REVISED PACKAGING NOTE	
3	10/19/16	KLE	DEL	ADDED INSTALLATION NOTES	
2	02/05/16	DLW	DEL	ADDED PACKAGING NOTE	
1	01/21/16	KLE	EK	REVISED NOTES & ADDED TIEBACK ANGLE RANGE DETAIL	

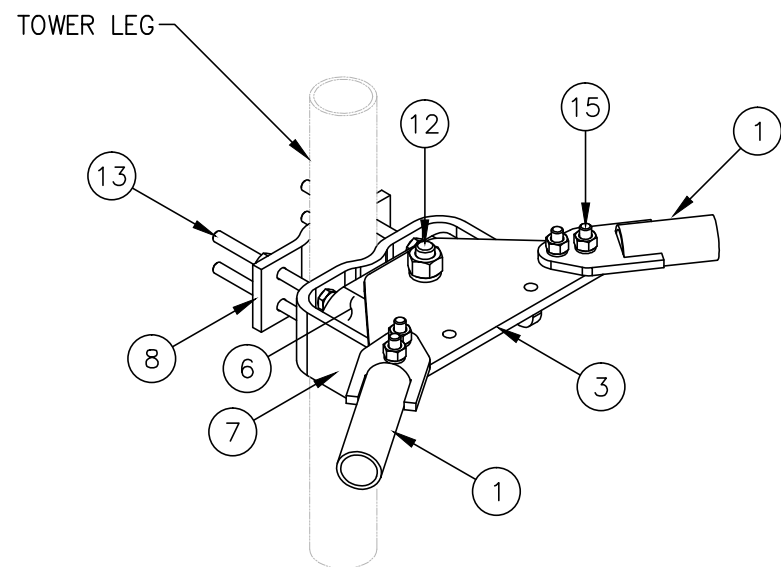
**Sabre Industries™**  
Towers and Poles

**CONFIDENTIAL**  
This document and the information contained herein is the confidential trade secret property of Sabre Communications Corporation ("Sabre") and must not be reproduced, copied or used, in whole or in part, for any purpose without the prior written consent of Sabre.  
© 2015 Sabre Communications Corporation. All rights reserved.

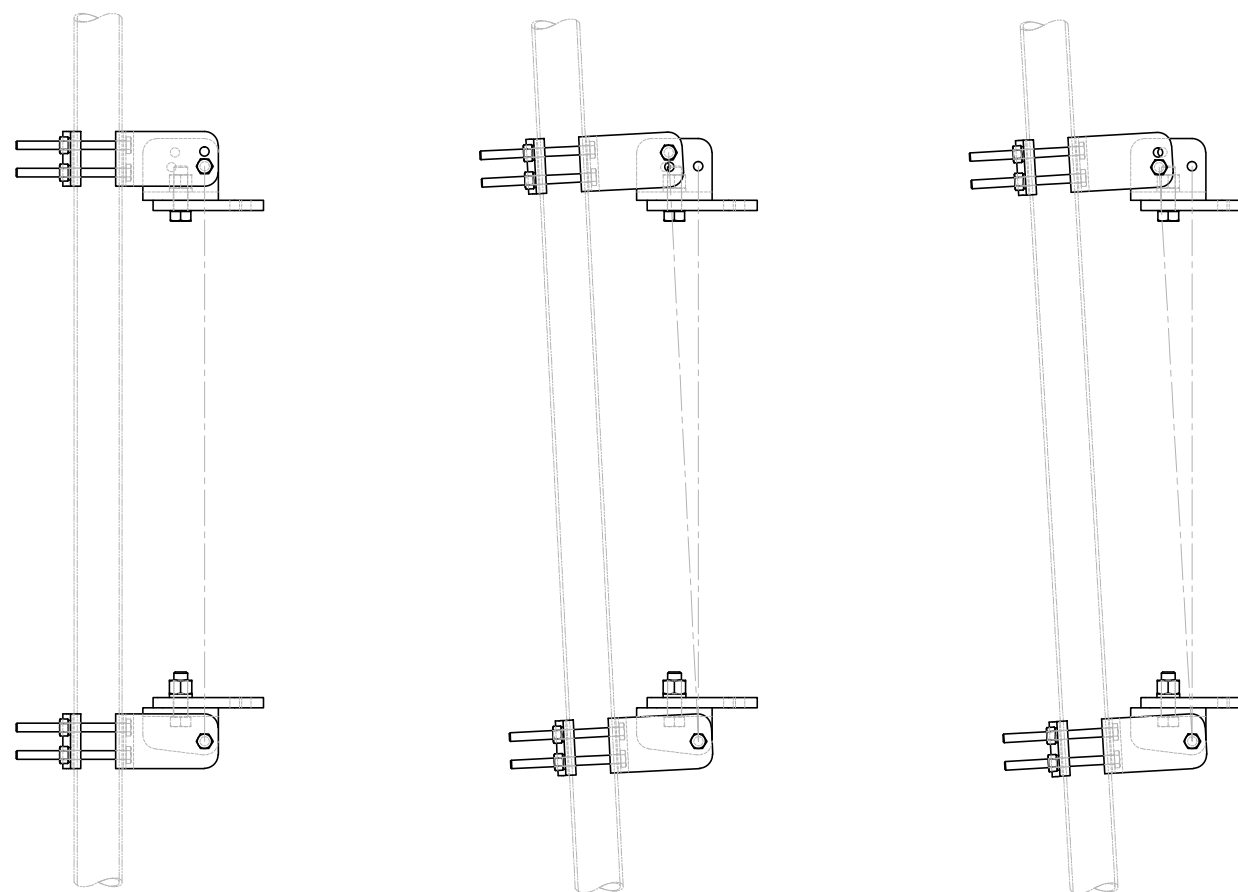
12' HD V-BOOM ASSEMBLY W/TIEBACK (3' STANDOFF) W/NO ANTENNA MOUNTING PIPES					
DATE	12/22/15	SIZE	B	DRAWING NO.	REV
DRAWN BY	WRF			C10857001C	4
CHECKED BY	EK	SCALE	None	PAGE	2 OF 3



**UPPER LEG MOUNTING DETAIL**



**LOWER LEG MOUNTING DETAIL**

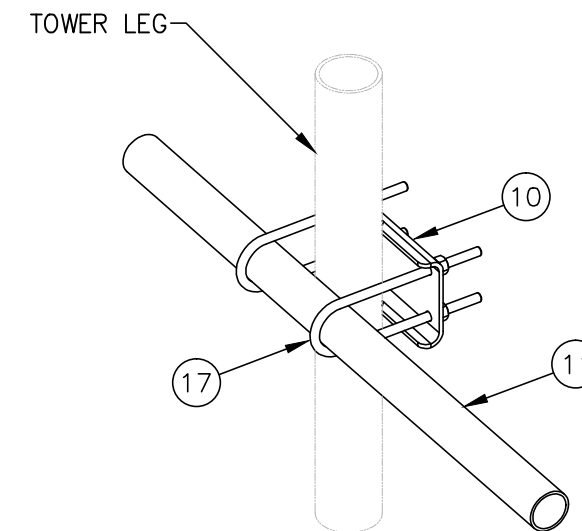


STRAIGHT TOWER SECTION

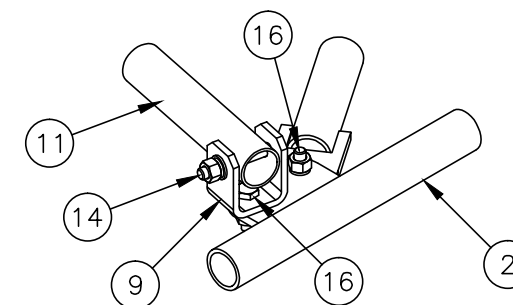
TAPERED 1'-9 IN 20' SLOPE

TAPERED 2' IN 20' SLOPE

-----PIVOTING OPTIONS-----



**TIE BACK DETAIL AT TOWER LEG**



**TIE BACK DETAIL AT ANTENNA MOUNTING FRAME**

UNLESS OTHERWISE SPECIFIED ALL DIMENSIONS INCLUDE FINISHES AND ARE IN INCHES		MATERIAL:	
TOLERANCES: FRACTIONS ± 1/16" ANGLES ± 1/2 DEG. DECIMALS ± .010"		TOLERANCES DO NOT APPLY TO RAW MATERIAL	
REV	DATE	DRW	CHK
4	04/11/17	KLE	EK
3	10/19/16	KLE	DEL
2	02/05/16	DLW	DEL
1	01/21/16	KLE	EK
DESCRIPTION			

**Sabre Industries™**  
Towers and Poles

**CONFIDENTIAL**  
This document and the information contained herein is the confidential trade secret property of Sabre Communications Corporation ("Sabre") and must not be reproduced, copied or used, in whole or in part, for any purpose without the prior written consent of Sabre.  
© 2015 Sabre Communications Corporation. All rights reserved.

12' HD V-BOOM ASSEMBLY W/TIEBACK (3' STANDOFF) W/NO ANTENNA MOUNTING PIPES			
DATE	12/22/15	SIZE	B
DRAWN BY	WRF	DRAWING NO.	C10857001C
CHECKED BY	EK	SCALE	None
		PAGE	3 OF 3
		REV	4

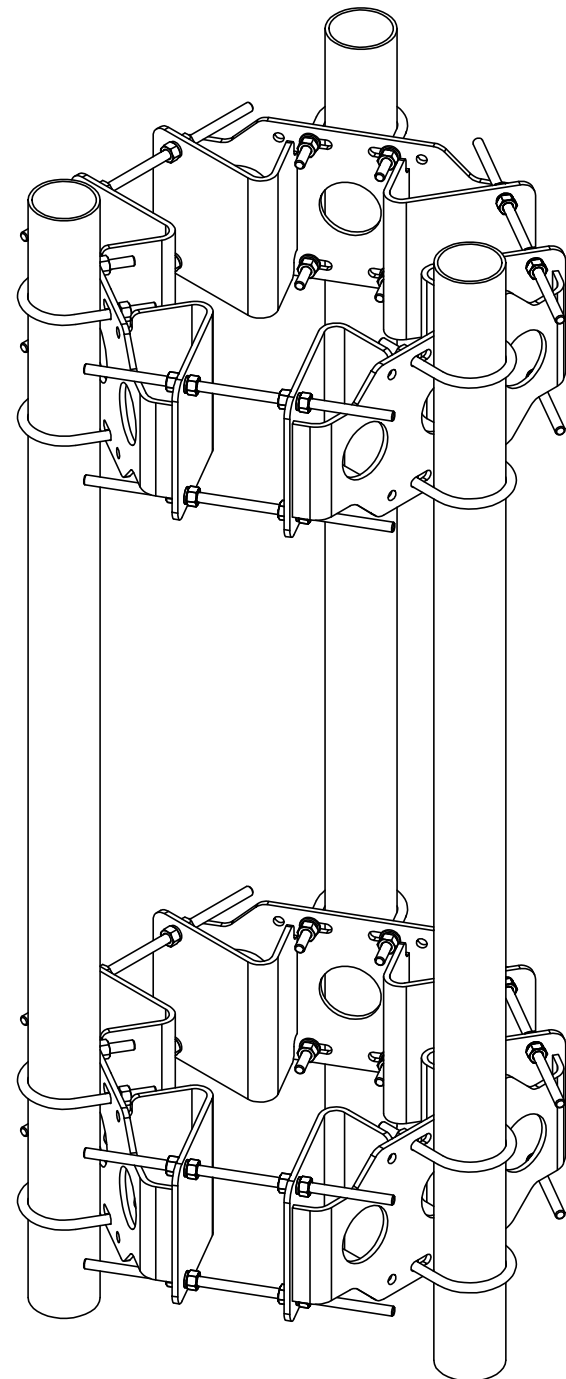


**NOTE:**

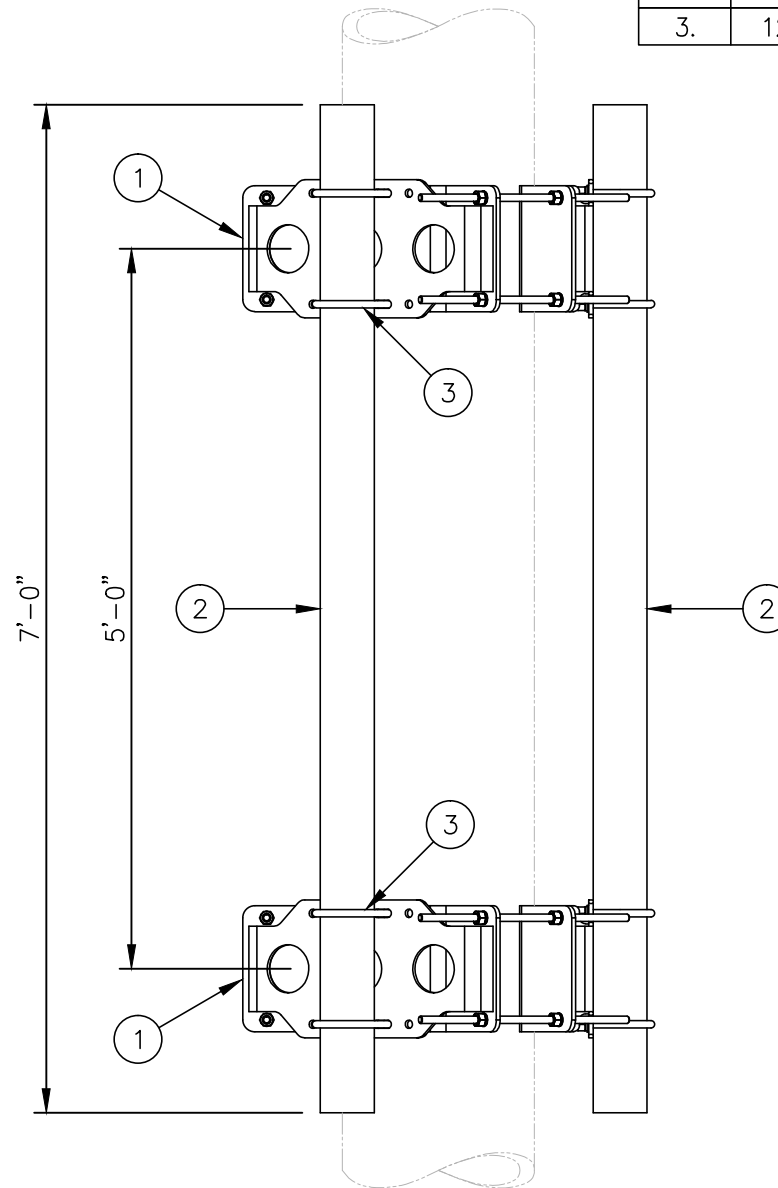
SEE DRAWING C10112377 FOR INSTALLATION OF TRI-COLLAR BRACKET ASSEMBLY

**C10899050 4 1/2" O.D. PIPE MOUNT ASSEMBLY**

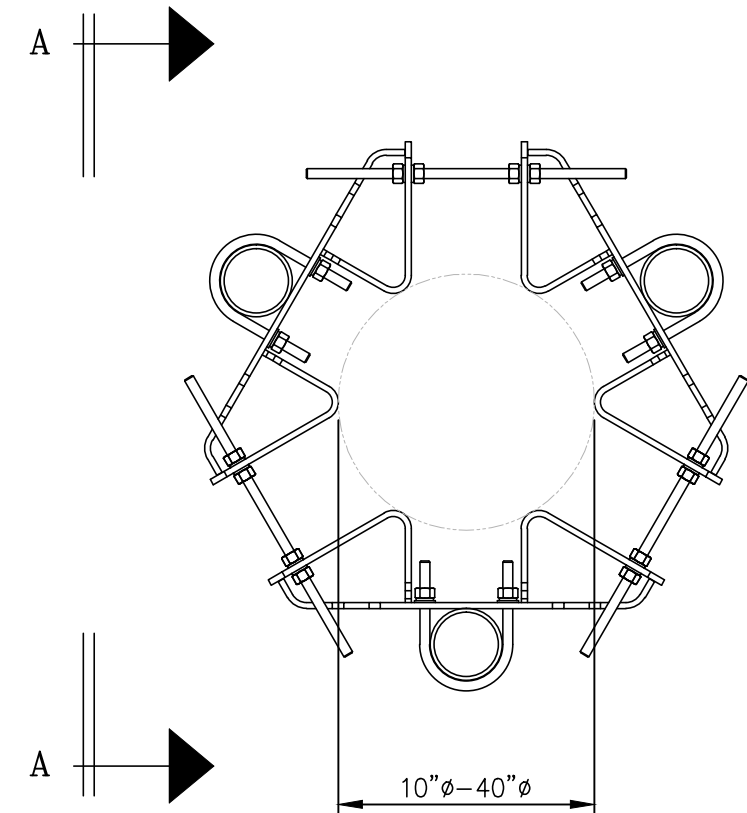
ITEM	QTY.	PART NO.	DESCRIPTION	WEIGHT
1.	2	C10112377	TRI-COLLAR BRACKET ASSEMBLY	416
2.	3	C10901407	PIPE, 4 1/2 O.D. X .237 X 7'-0	236
3.	12	C40034032	U-BOLT ASSEMBLY, 5/8 $\phi$ X 5 3/16 C-C	26
TOTAL WEIGHT				678



**ISOMETRIC VIEW**



**VIEW A-A**



**PLAN VIEW**

UNLESS OTHERWISE SPECIFIED  
ALL DIMENSIONS INCLUDE  
FINISHES AND ARE IN INCHES

TOLERANCES: FRACTIONS  $\pm 1/16"$   
ANGLES  $\pm 1/2$  DEG.  
DECIMALS  $\pm .010"$

MATERIAL:

TOLERANCES DO NOT APPLY  
TO RAW MATERIAL



**4 1/2" O.D. PIPE MOUNT ASSEMBLY  
FOR MONOPOLES  
(FITS 10" TO 40" DIAMETER)**

REV	DATE	DRW	CHK	DESCRIPTION
1	02/03/17	WRF	KLE	COLLAR WAS C10112300

**CONFIDENTIAL**  
This document and the information  
contained herein is the confidential trade  
secret property of Sabre Communications  
Corporation ("Sabre") and must not be  
reproduced, copied or used, in whole or in  
part, for any purpose without the prior  
written consent of Sabre.  
© 2016 Sabre Communications Corporation.  
All rights reserved.

DATE	01/26/16	SIZE	B	DRAWING NO.	C10899050	REV	1
DRAWN BY	WRF	CHECKED BY	DLW	SCALE	None	PAGE	1 OF 1