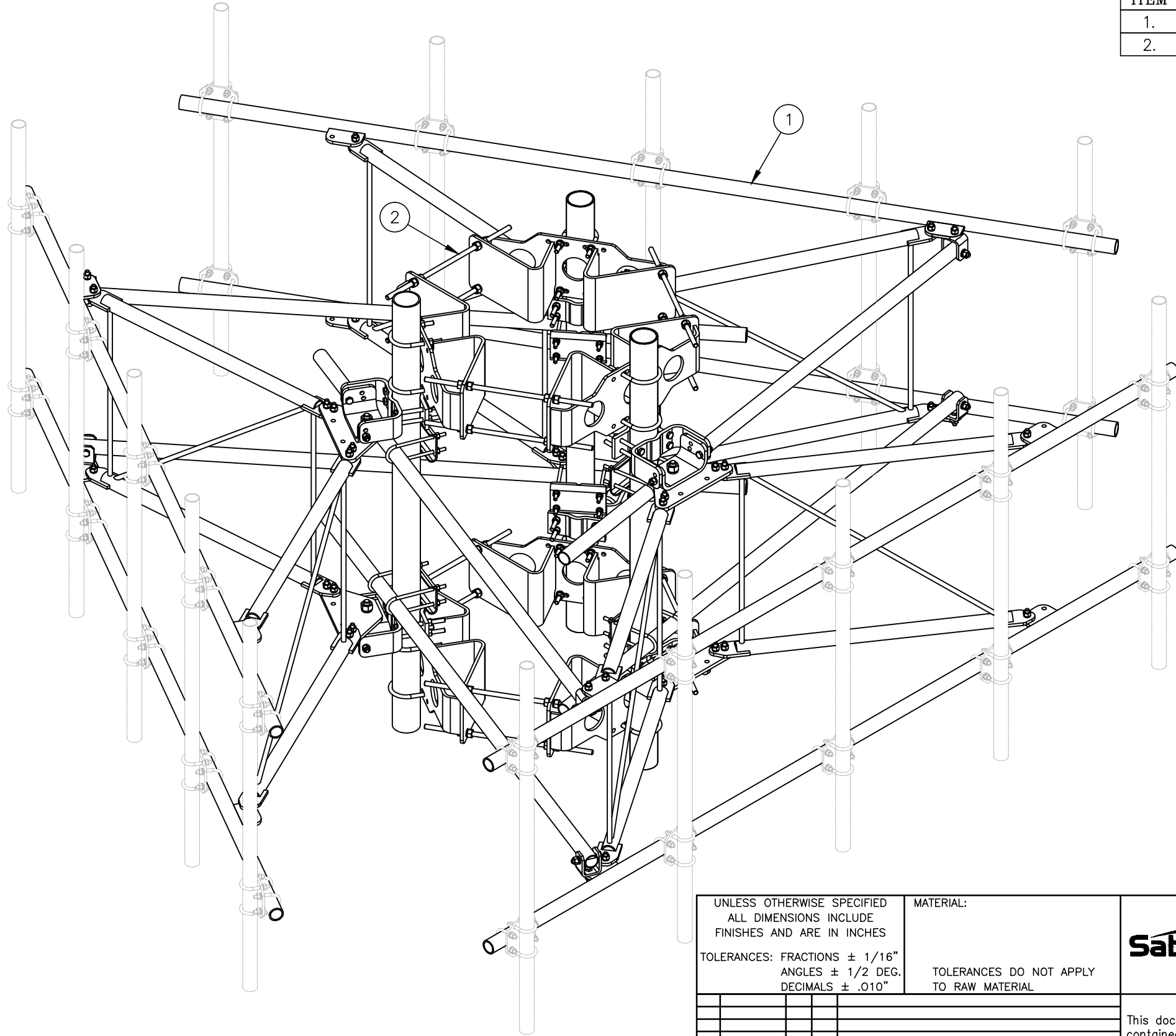




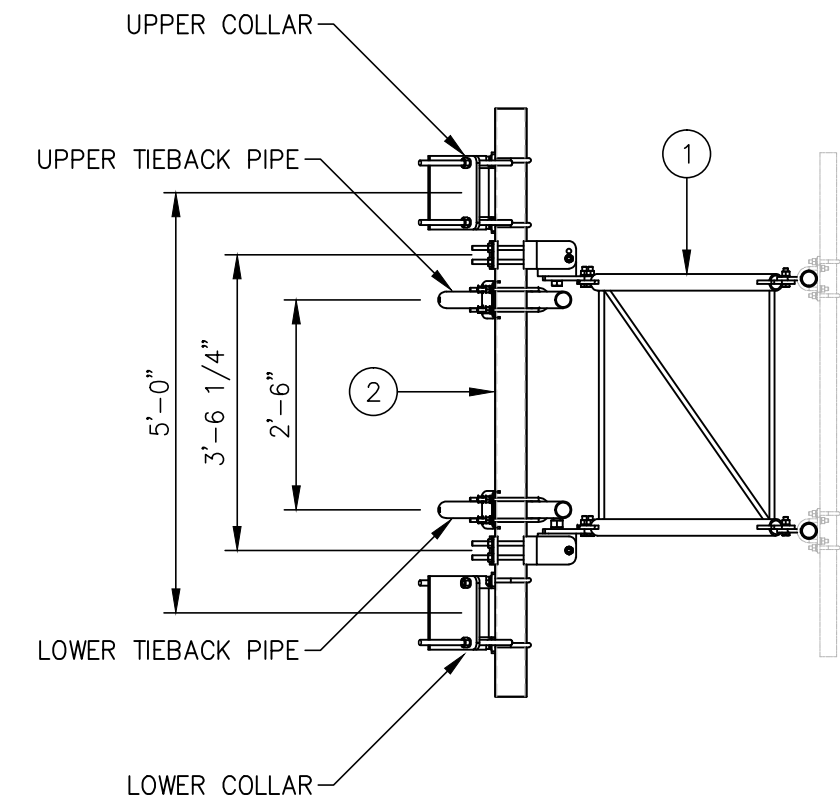
C10857804 12' EHD V-BOOM ASSEMBLIES W/TIEBACKS

ITEM	QTY.	PART NO.	DESCRIPTION	WEIGHT
1.	3	C10857007C	12' EHD V-BOOM ASSEMBLY W/TIE BACKS	1533
2.	1	C10899055	4 1/2" O.D. MONOPOLE PIPE MOUNT ASSEMBLY	994
			TOTAL WEIGHT	2527



NOTES:

1. MOUNTING PIPES & CROSSOVER PLATE KITS MUST BE PURCHASED SEPARATELY.
2. SEE DRAWING C10857007C FOR 12' V-BOOM ASSEMBLY.
3. SEE DRAWING C10899055 FOR 4 1/2" O.D. MONOPOLE PIPE MOUNT ASSEMBLY.



VIEW A-A
FROM PAGE 2

ISOMETRIC VIEW

UNLESS OTHERWISE SPECIFIED
ALL DIMENSIONS INCLUDE
FINISHES AND ARE IN INCHES

TOLERANCES: FRACTIONS ± 1/16"
ANGLES ± 1/2 DEG.
DECIMALS ± .010"

MATERIAL:

TOLERANCES DO NOT APPLY
TO RAW MATERIAL

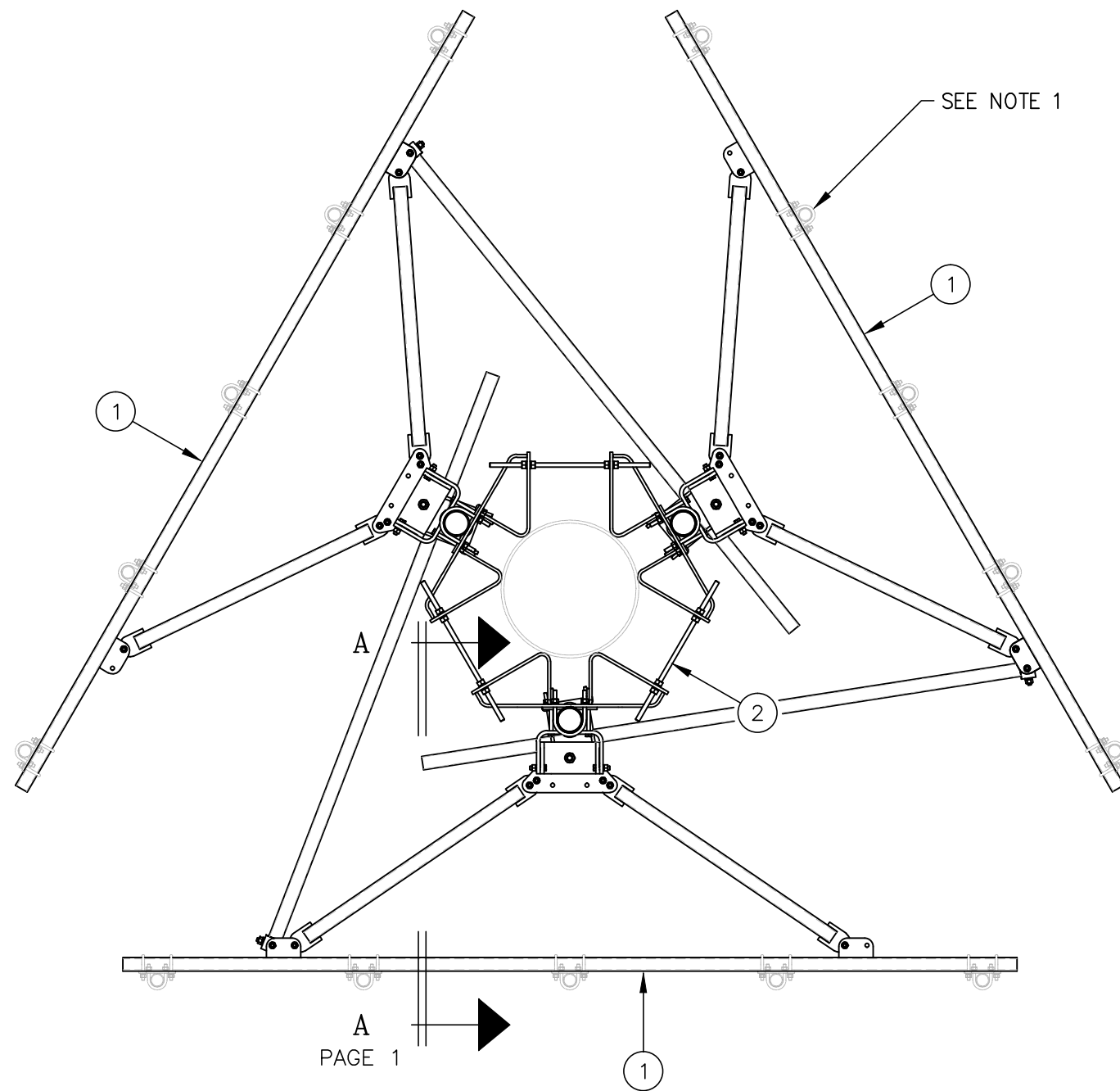


12' EHD V-BOOM ASSEMBLIES W/TIEBACKS
(3' STANDOFF)
ON MONOPOLE PIPE MOUNT ASSEMBLY
W/NO ANTENNA MOUNTING PIPES

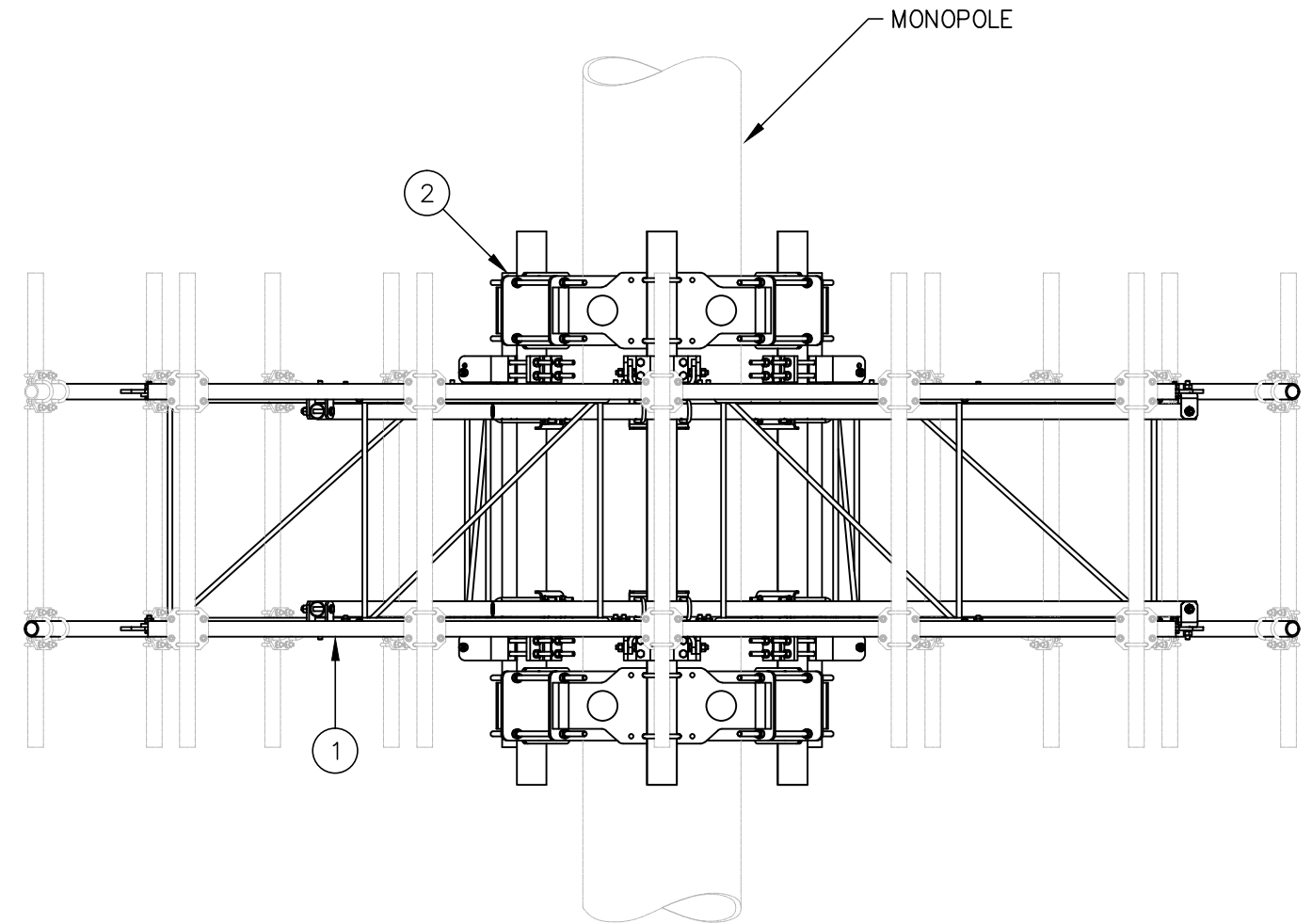
REV	DATE	DRW	CHK	DESCRIPTION

CONFIDENTIAL
This document and the information contained herein is the confidential trade secret property of Sabre Communications Corporation ("Sabre") and must not be reproduced, copied or used, in whole or in part, for any purpose without the prior written consent of Sabre.
© 2018 Sabre Communications Corporation. All rights reserved.

DATE	9/24/18	SIZE	B	DRAWING NO.	C10857804	REV	0
DRAWN BY	WRF			SCALE	None	PAGE	
CHECKED BY	WMN					1 OF 2	



PLAN VIEW



ELEVATION VIEW

A
PAGE 1

UNLESS OTHERWISE SPECIFIED
ALL DIMENSIONS INCLUDE
FINISHES AND ARE IN INCHES
TOLERANCES: FRACTIONS $\pm 1/16"$
ANGLES $\pm 1/2$ DEG.
DECIMALS $\pm .010"$

MATERIAL:
TOLERANCES DO NOT APPLY
TO RAW MATERIAL



12' EHD V-BOOM ASSEMBLIES W/TIEBACKS
(3' STANDOFF)
ON MONOPOLE PIPE MOUNT ASSEMBLY
W/NO ANTENNA MOUNTING PIPES

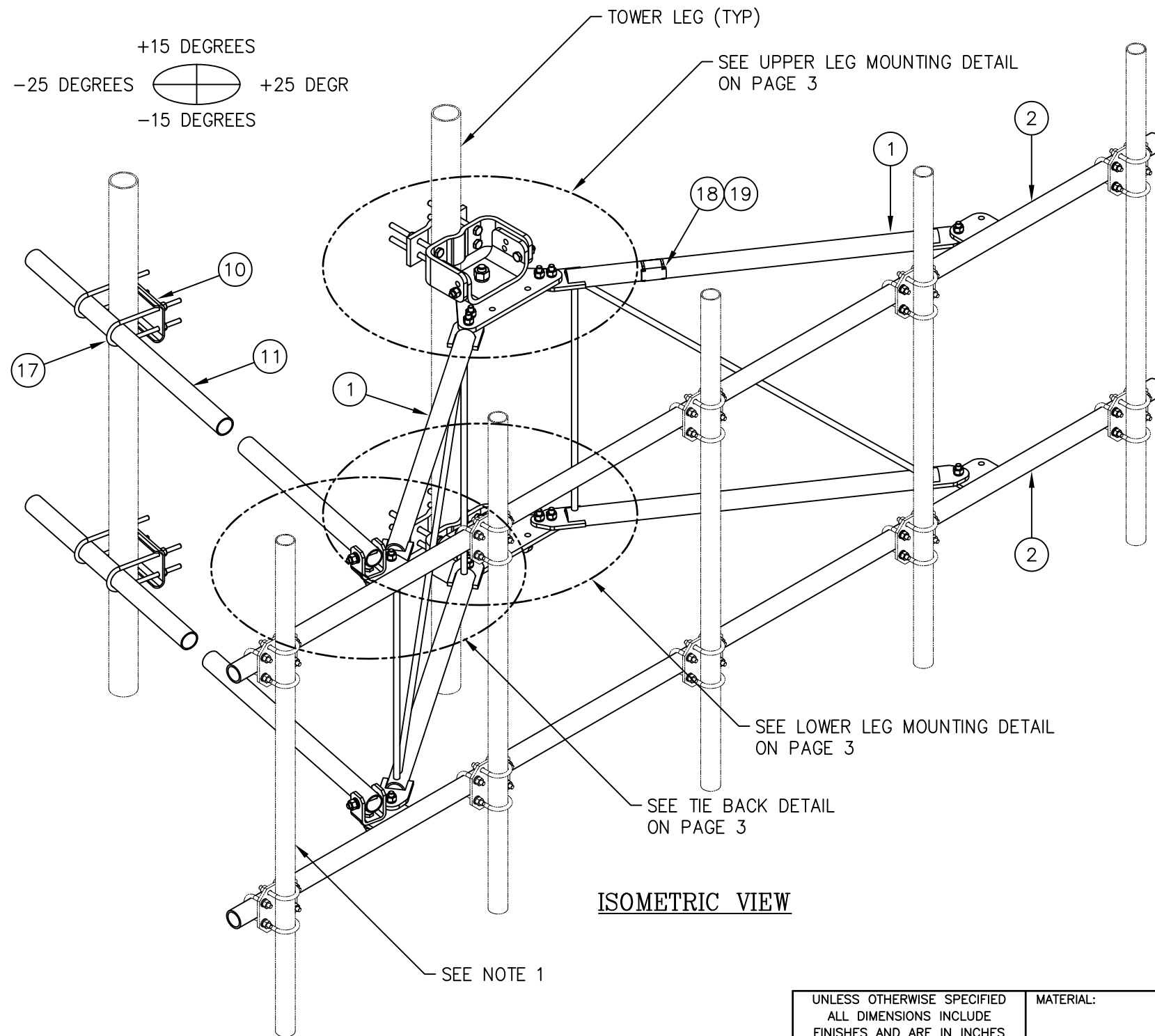
REV	DATE	DRW	CHK	DESCRIPTION

CONFIDENTIAL
This document and the information
contained herein is the confidential trade
secret property of Sabre Communications
Corporation ("Sabre") and must not be
reproduced, copied or used, in whole or in
part, for any purpose without the prior
written consent of Sabre.
© 2018 Sabre Communications Corporation.
All rights reserved.

DATE	09/24/18	SIZE	B	DRAWING NO.	C10857804	REV	0
DRAWN BY	WRF	SCALE		PAGE		None	
CHECKED BY	WMN			2 OF 2			



C10857007C 12' EHD V-BOOM ASSEMBLY W/TIEBACKS



ITEM	QTY.	PART NO.	DESCRIPTION	WEIGHT
1.	2	CW01222	WELDMENT, STANDOFF ARM	126
2.	2	CW01223	WELDMENT, FACE PIPE	147
3.	2	CS03109	PLATE, ROTATING	34
4.	1	CS03110	PLATE, PIVOTING (UPPER)	16
5.	1	CS03111	PLATE, LEG CLAMP (UPPER)	17
6.	1	CS03112	PLATE, PIVOTING (LOWER)	14
7.	1	CS03113	PLATE, LEG CLAMP (LOWER)	17
8.	2	CS03114	PLATE, LEG CLAMP (BACK)	14
9.	2	CS00098	PLATE, TIE BACK SWIVEL	5
10.	2	CS03285	PLATE, TIE BACK CLAMP	9
11.	2	CS03333	PIPE, TIE BACK	76
12.	2	C40026073	BOLT ASSEMBLY, 1 ϕ X 3 A325	4
13.	8	C40140004	BOLT ASSEMBLY, 5/8 ϕ X 8 A307	13
14.	2	C40026033	BOLT ASSEMBLY, 5/8 ϕ X 4 1/2 A325	2
15.	12	C40026025	BOLT ASSEMBLY, 5/8 ϕ X 2 1/2 A325	6
16.	6	C40026024	BOLT ASSEMBLY, 5/8 ϕ X 2 1/4 A325	3
17.	4	C40034183	U-BOLT ASSEMBLY, 1/2 ϕ X 2 9/16 C-C	6
18.	1	Z30992017	MOUNT CLASSIFICATION TAG C10857007C	1
19.	2	C40062103	STAINLESS STEEL SELF-LOCKING CABLE TIE	1
TOTAL WEIGHT				511

ISOMETRIC VIEW

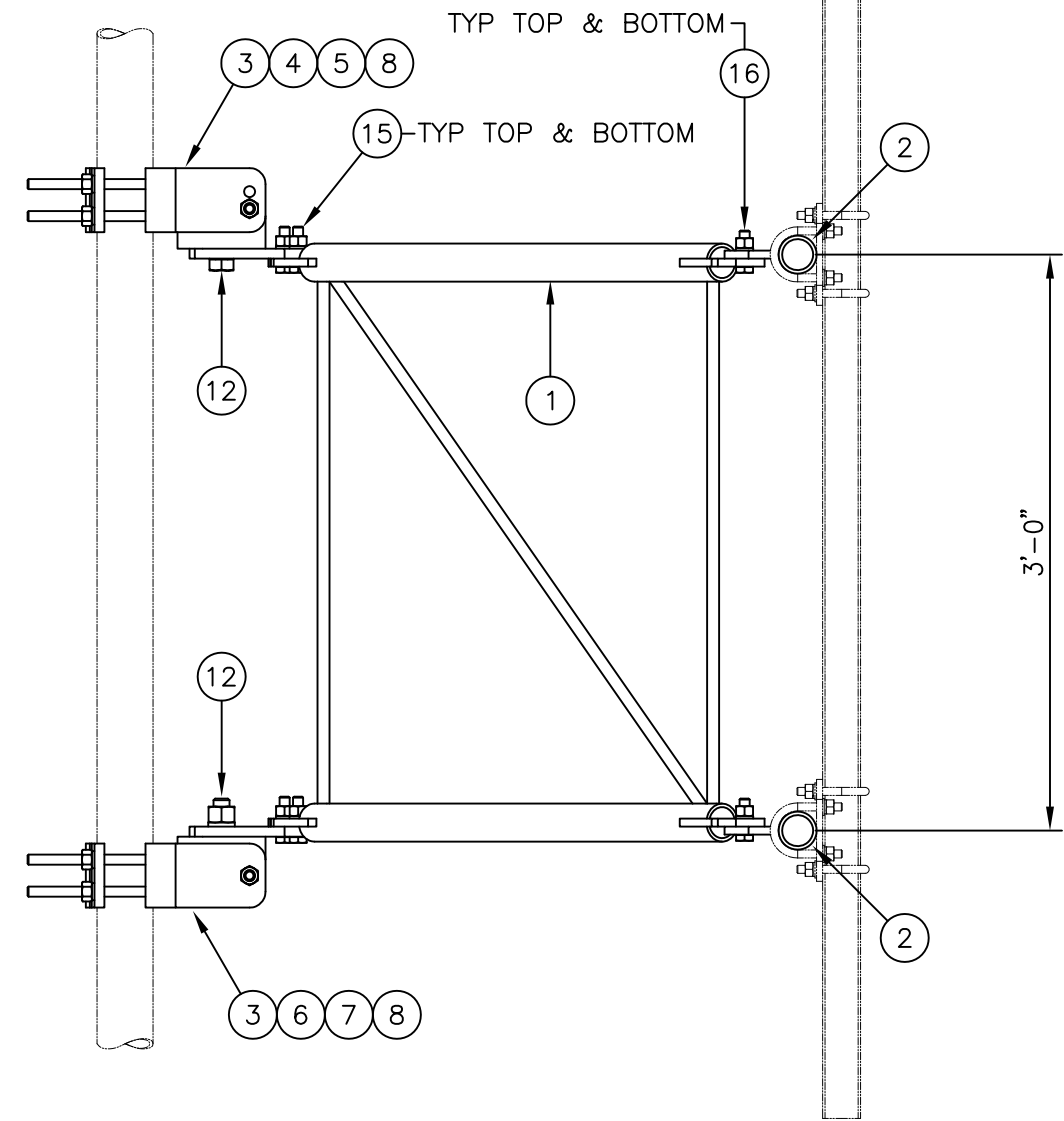
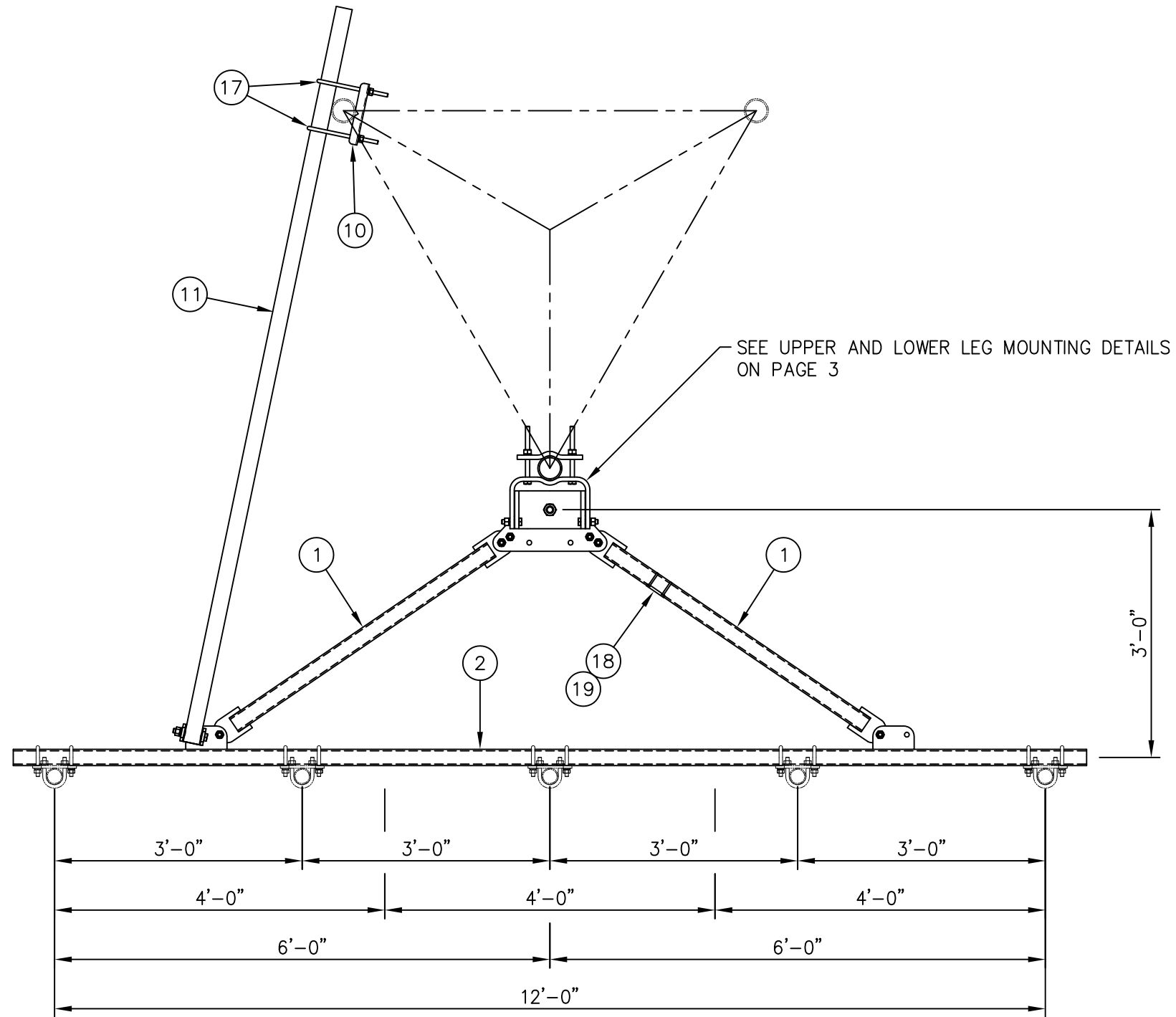
UNLESS OTHERWISE SPECIFIED ALL DIMENSIONS INCLUDE FINISHES AND ARE IN INCHES		MATERIAL:	
TOLERANCES: FRACTIONS $\pm 1/16"$ ANGLES $\pm 1/2$ DEG. DECIMALS $\pm .010"$		TOLERANCES DO NOT APPLY TO RAW MATERIAL	
REV	DATE	DRW/CHK	DESCRIPTION

Sabre Industries™
Towers and Poles

CONFIDENTIAL

This document and the information contained herein is the confidential trade secret property of Sabre Communications Corporation ("Sabre") and must not be reproduced, copied or used, in whole or in part, for any purpose without the prior written consent of Sabre.
© 2016 Sabre Communications Corporation. All rights reserved.

12' EHD V-BOOM ASSEMBLY W/TIEBACKS (3' STANDOFF) W/NO ANTENNA MOUNTING PIPES			
DATE	02/29/16	SIZE	B
DRAWN BY	WRF	DRAWING NO.	C10857007C
CHECKED BY	KLE	SCALE	None
		REV	1
		PAGE	1 OF 3



MOUNTING OPTIONS
SHOWING MOUNTING PIPE PLACEMENTS

UNLESS OTHERWISE SPECIFIED
ALL DIMENSIONS INCLUDE
FINISHES AND ARE IN INCHES

TOLERANCES: FRACTIONS $\pm 1/16"$
ANGLES $\pm 1/2$ DEG.
DECIMALS $\pm .010"$

MATERIAL:

TOLERANCES DO NOT APPLY
TO RAW MATERIAL



CONFIDENTIAL

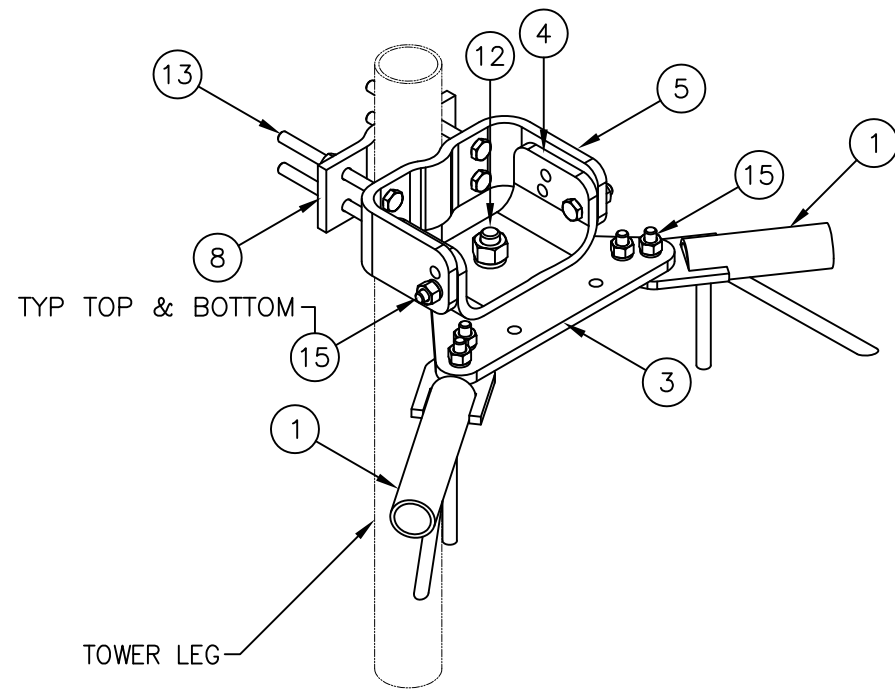
This document and the information contained herein is the confidential trade secret property of Sabre Communications Corporation ("Sabre") and must not be reproduced, copied or used, in whole or in part, for any purpose without the prior written consent of Sabre.

© 2016 Sabre Communications Corporation. All rights reserved.

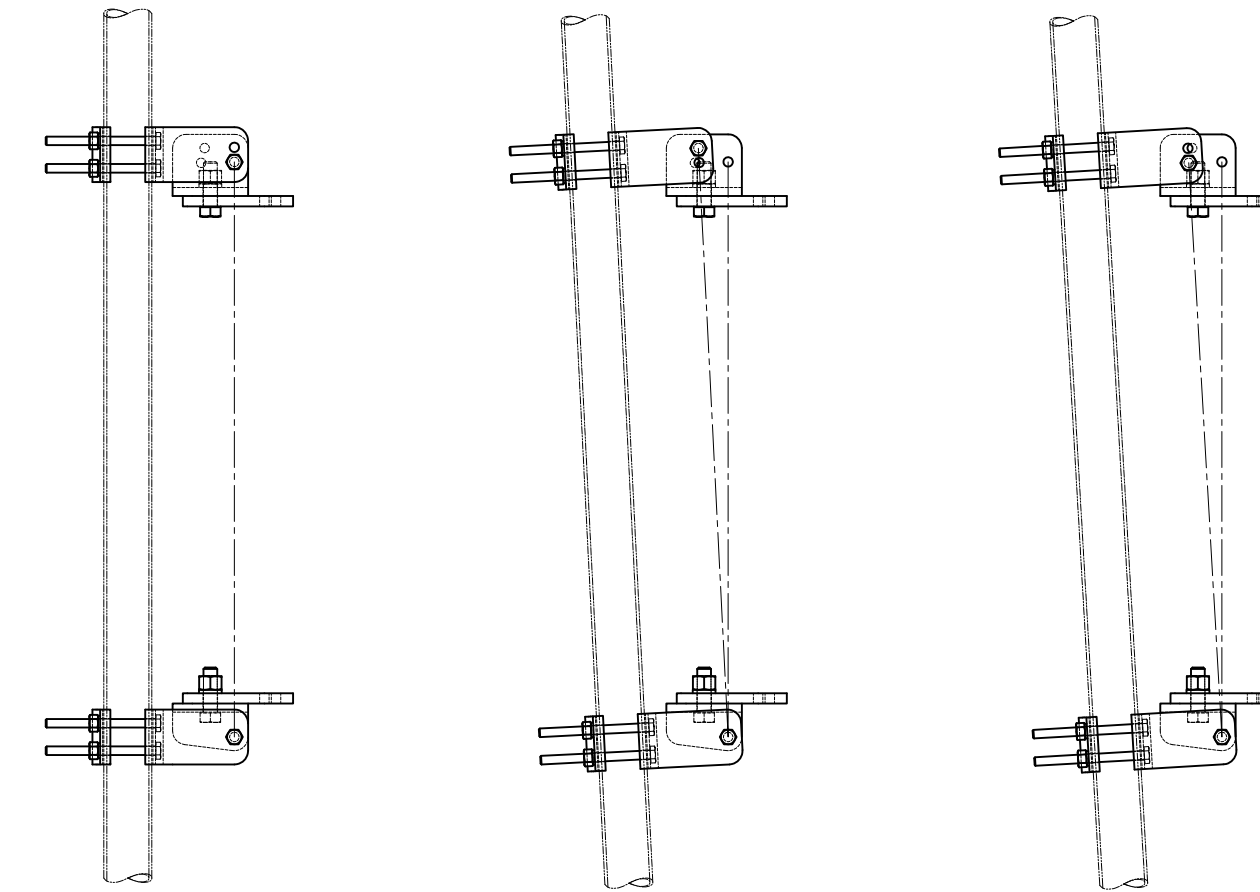
12' EHD V-BOOM ASSEMBLY W/TIEBACKS
(3' STANDOFF)
W/NO ANTENNA MOUNTING PIPES

REV	DATE	DRW	CHK	DESCRIPTION
1	10/19/16	KLE	DEL	ADDED INSTALLATION NOTES

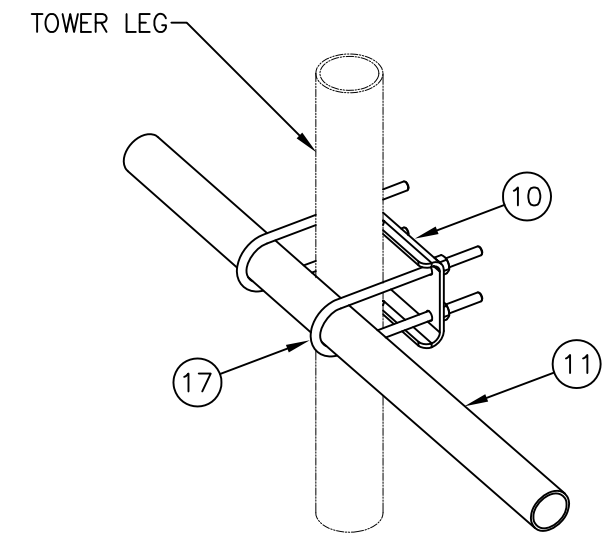
DATE	02/29/16	SIZE	B	DRAWING NO.	C10857007C	REV	1
DRAWN BY	WRF	SCALE	None	PAGE	2 OF 3		
CHECKED BY	KLE						



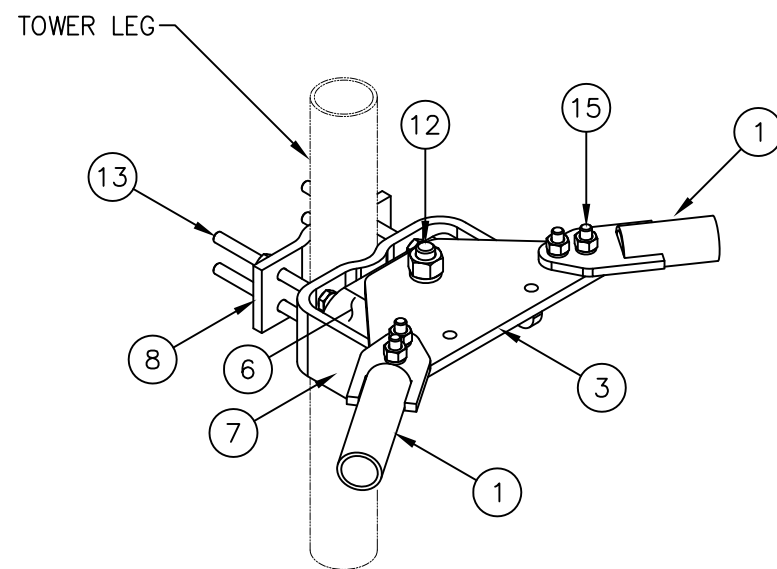
UPPER LEG MOUNTING DETAIL



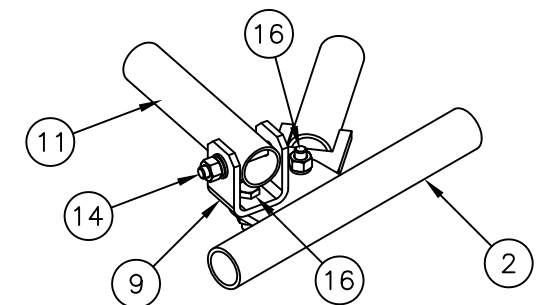
-----PIVOTING OPTIONS-----



**TIE BACK DETAIL
AT TOWER LEG**



LOWER LEG MOUNTING DETAIL



**TIE BACK DETAIL
AT ANTENNA MOUNTING FRAME**

UNLESS OTHERWISE SPECIFIED
ALL DIMENSIONS INCLUDE
FINISHES AND ARE IN INCHES
TOLERANCES: FRACTIONS $\pm 1/16"$
ANGLES $\pm 1/2$ DEG.
DECIMALS $\pm .010"$

MATERIAL:
TOLERANCES DO NOT APPLY
TO RAW MATERIAL



12' EHD V-BOOM ASSEMBLY W/TIEBACKS
(3' STANDOFF)
W/NO ANTENNA MOUNTING PIPES

REV	DATE	DRW	CHK	DESCRIPTION
1	10/19/16	KLE	DEL	ADDED INSTALLATION NOTES

CONFIDENTIAL
This document and the information
contained herein is the confidential trade
secret property of Sabre Communications
Corporation ("Sabre") and must not be
reproduced, copied or used, in whole or in
part, for any purpose without the prior
written consent of Sabre.
© 2016 Sabre Communications Corporation.
All rights reserved.

DATE	02/29/16	SIZE	B	DRAWING NO.	C10857007C	REV	1
DRAWN BY	WRF	CHECKED BY	KLE	SCALE	None	PAGE	3 OF 3

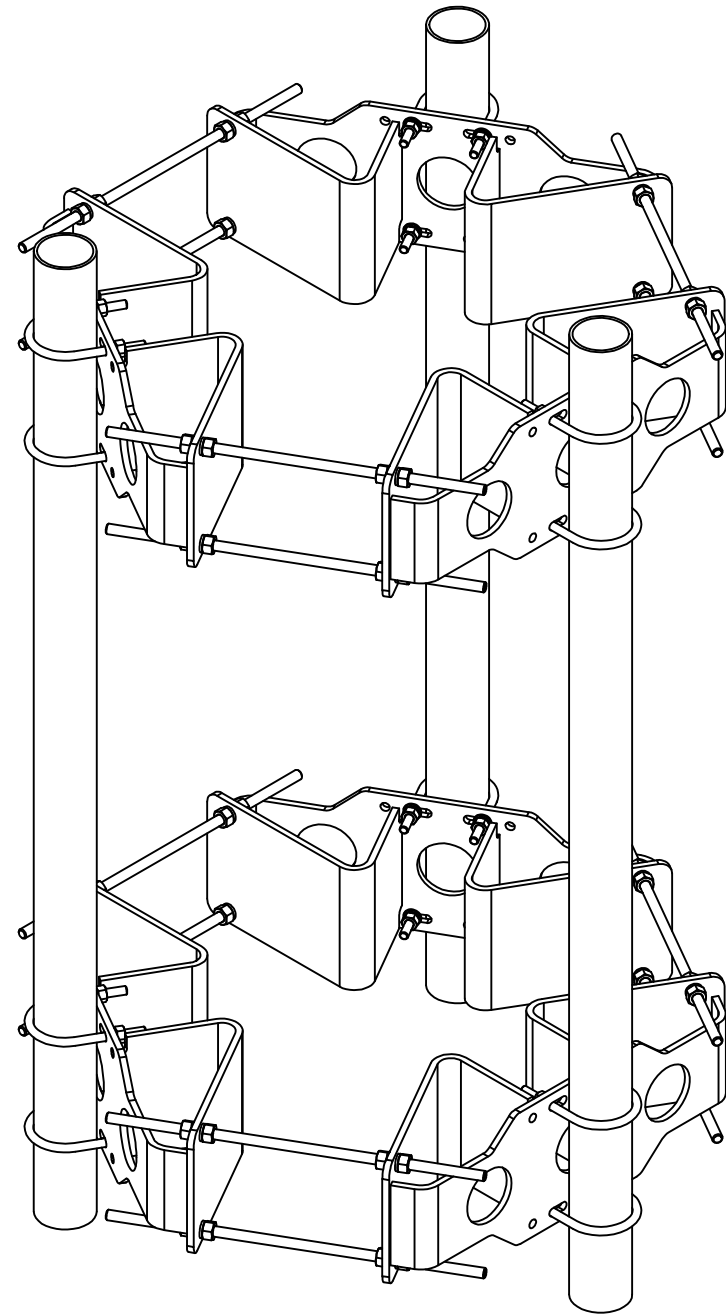


NOTE:

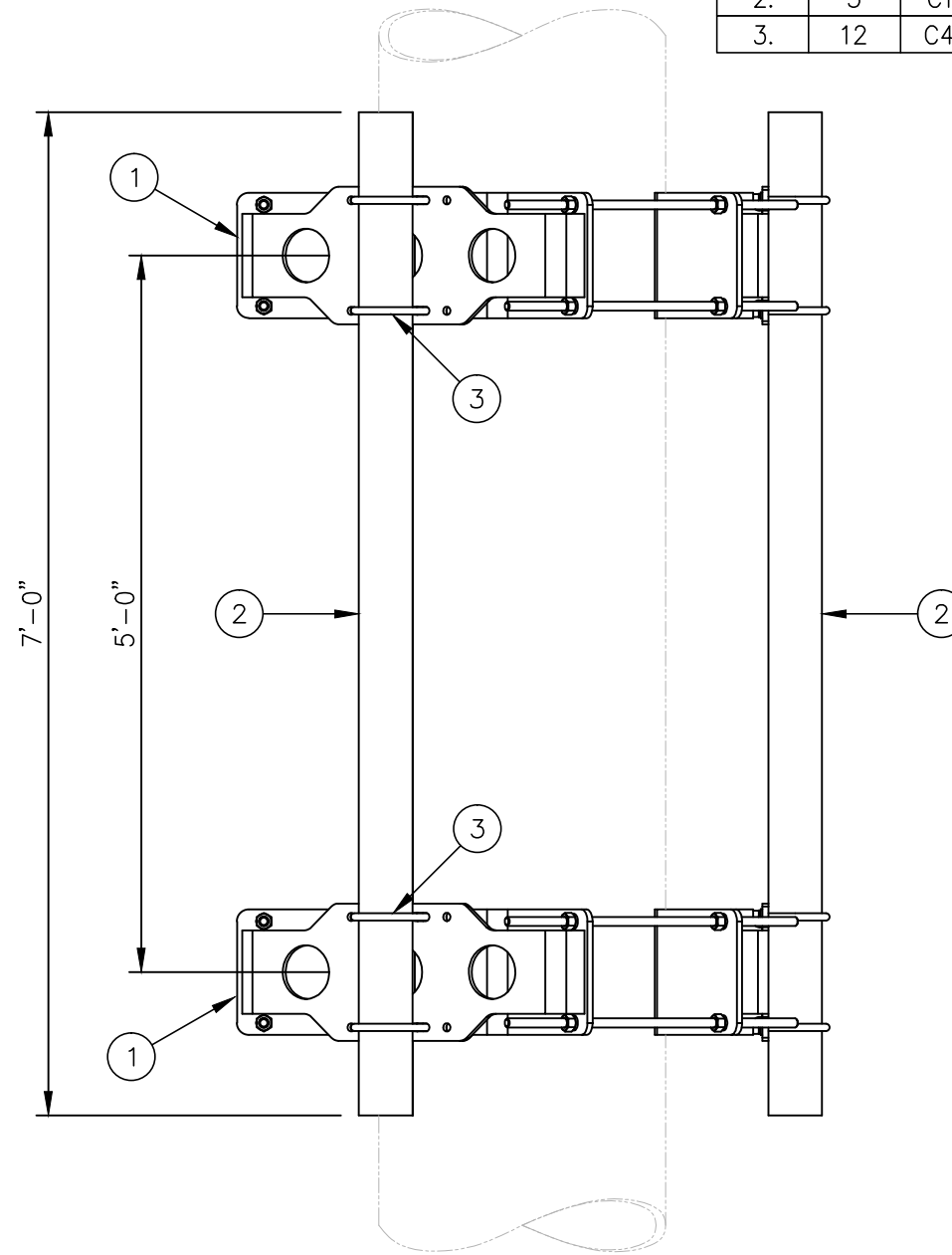
SEE DRAWING C10112378 FOR INSTALLATION OF TRI-COLLAR BRACKET ASSEMBLY

C10899055 4 1/2" O.D. PIPE MOUNT ASSEMBLY

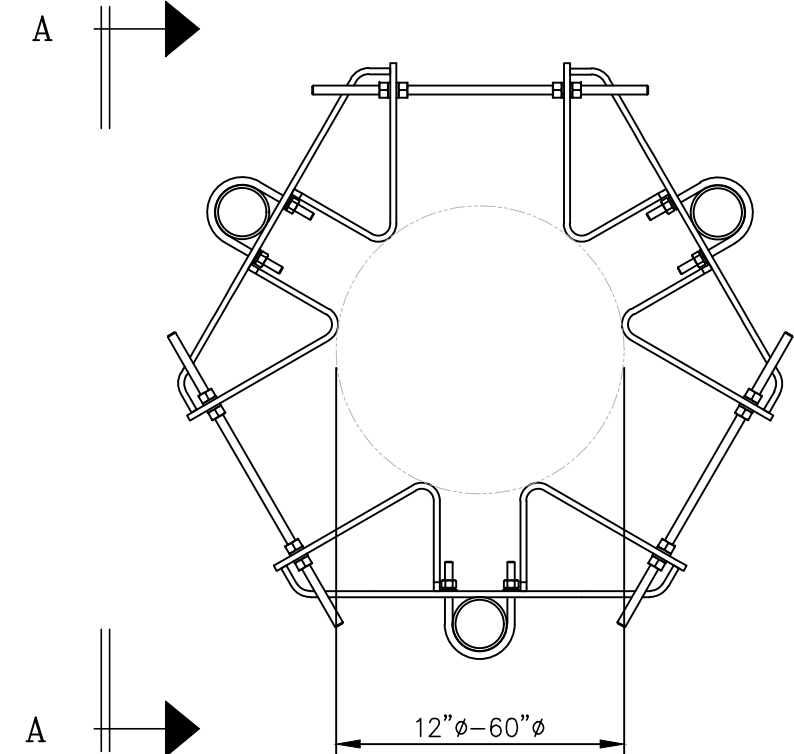
ITEM	QTY.	PART NO.	DESCRIPTION	WEIGHT
1.	2	C10112378	TRI-COLLAR BRACKET ASSEMBLY	732
2.	3	C10901407	PIPE, 4 1/2 O.D. X .237 X 7'-0	236
3.	12	C40034032	U-BOLT ASSEMBLY, 5/8 ϕ X 5 3/16 C-C	26
TOTAL WEIGHT				994



ISOMETRIC VIEW



VIEW A-A



PLAN VIEW

UNLESS OTHERWISE SPECIFIED
ALL DIMENSIONS INCLUDE
FINISHES AND ARE IN INCHES

TOLERANCES: FRACTIONS $\pm 1/16"$
ANGLES $\pm 1/2$ DEG.
DECIMALS $\pm .010"$

MATERIAL:

TOLERANCES DO NOT APPLY
TO RAW MATERIAL



**4 1/2" O.D. PIPE MOUNT ASSEMBLY
FOR MONOPOLES
(FITS 12" TO 60" DIAMETER)**

REV	DATE	DRW	CHK	DESCRIPTION
1	02/03/17	WRF	KLE	COLLAR WAS C10112301

CONFIDENTIAL
This document and the information contained herein is the confidential trade secret property of Sabre Communications Corporation ("Sabre") and must not be reproduced, copied or used, in whole or in part, for any purpose without the prior written consent of Sabre.
© 2016 Sabre Communications Corporation. All rights reserved.

DATE	01/26/16	SIZE	B	DRAWING NO.	C10899055	REV	1
DRAWN BY	WRF	CHECKED BY	DLW	SCALE	None	PAGE	1 OF 1