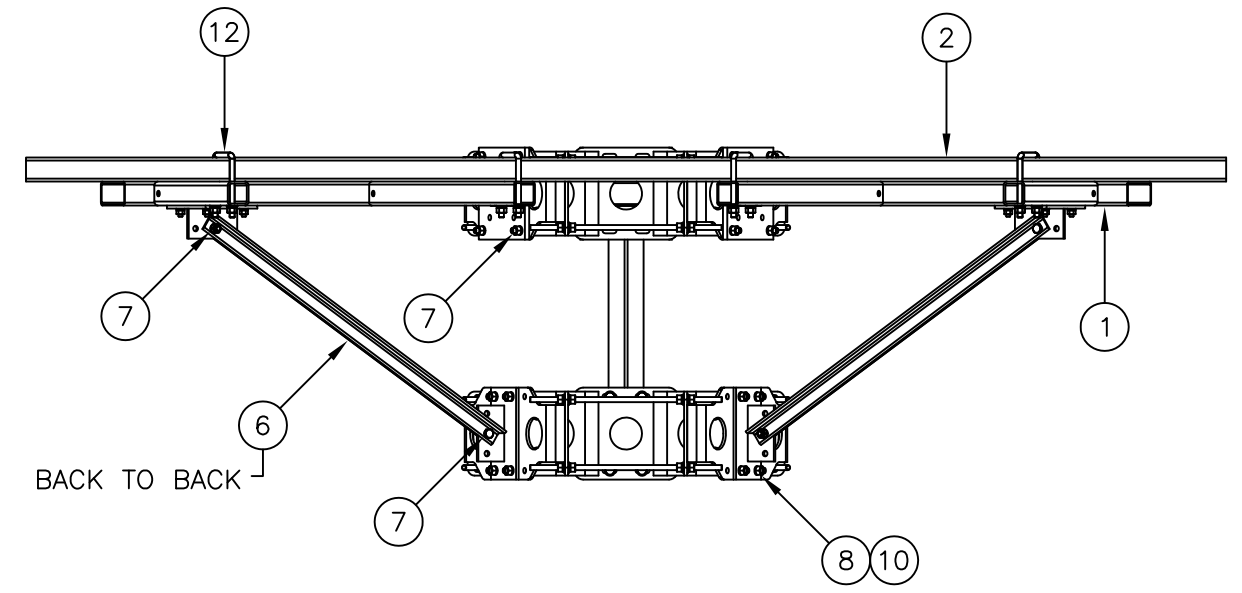


PLAN VIEW



FRONT VIEW

UNLESS OTHERWISE SPECIFIED
ALL DIMENSIONS INCLUDE
FINISHES AND ARE IN INCHES

TOLERANCES: FRACTIONS $\pm 1/16"$
ANGLES $\pm 1/2$ DEG.
DECIMALS $\pm .010"$

MATERIAL:
TOLERANCES DO NOT APPLY
TO RAW MATERIAL

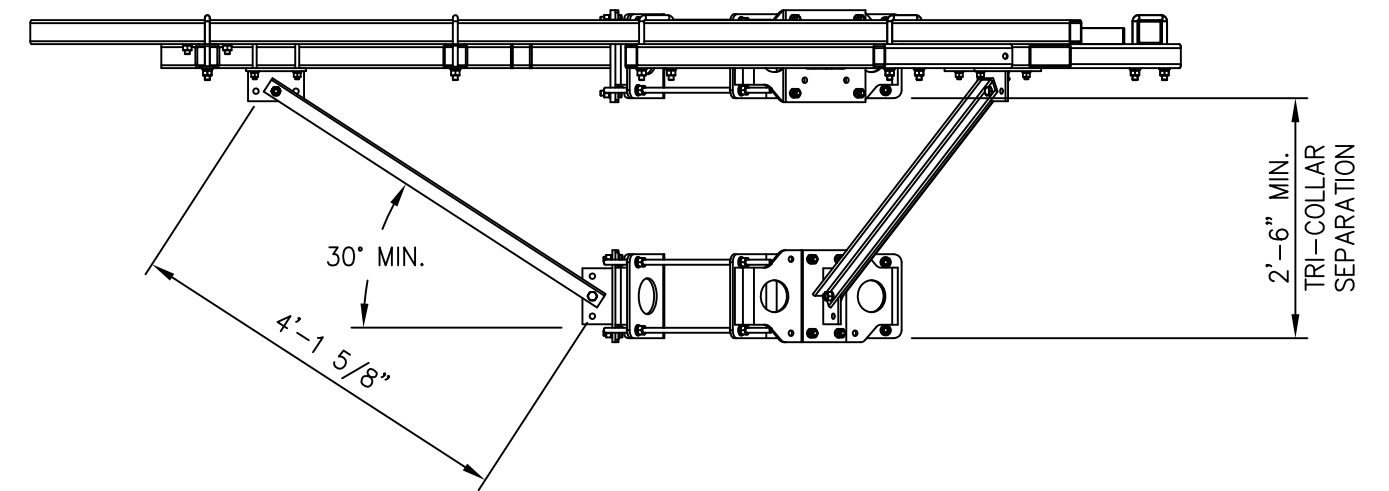
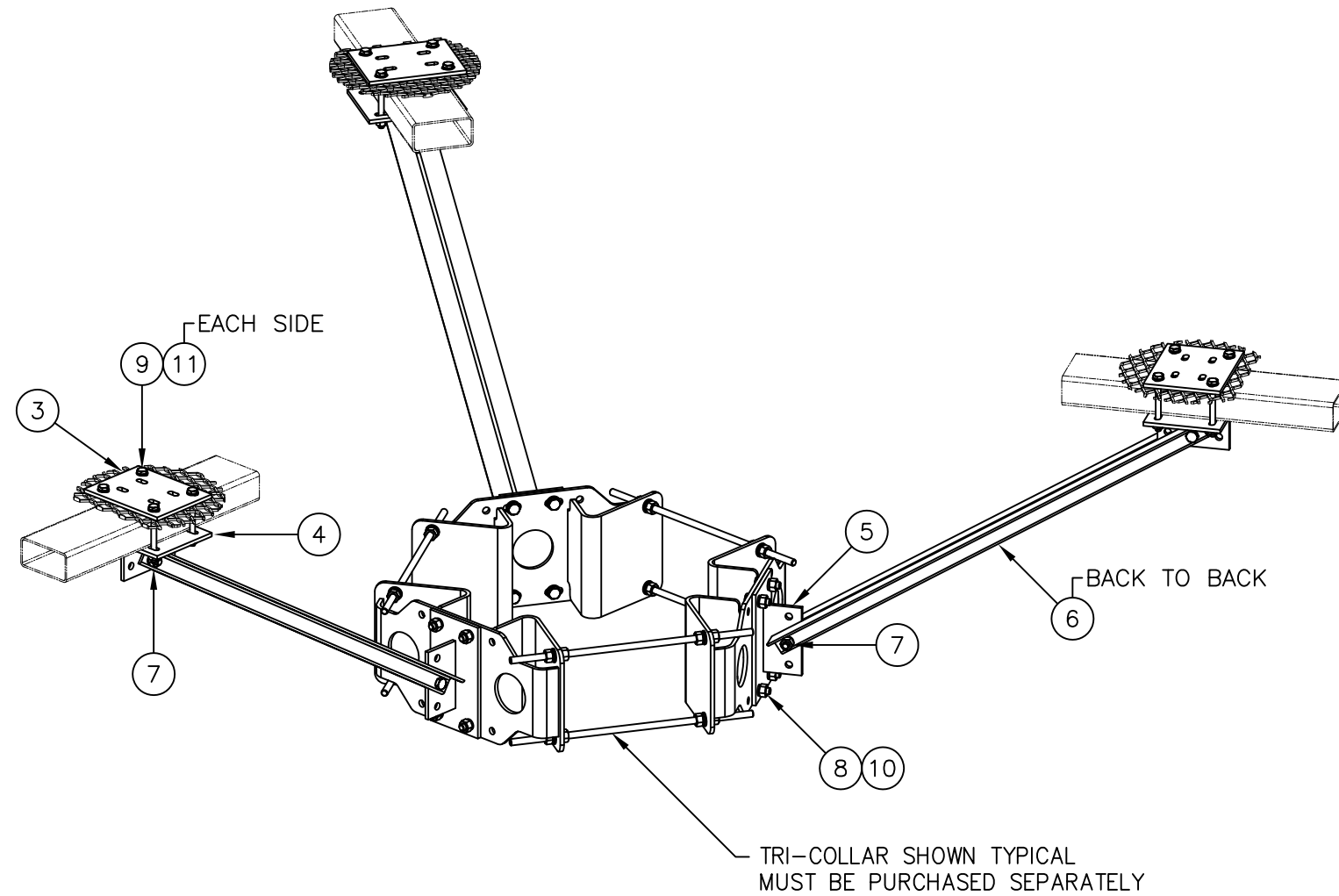


12' HD PLATFORM (NO COLLARS)
FITS 10"Ø TO 40"Ø MONOPOLES

REV	DATE	DRW	CHK	DESCRIPTION
1	04/18/16	WRF	KLE	DESIGN UPDATE

CONFIDENTIAL
This document and the information contained herein is the confidential trade secret property of Sabre Communications Corporation ("Sabre") and must not be reproduced, copied or used, in whole or in part, for any purpose without the prior written consent of Sabre.
© 2016 Sabre Communications Corporation. All rights reserved.

DATE	02/16/16	SIZE	B	DRAWING NO.	C10855115C	REV	1
DRAWN BY	WRF	SCALE	None	PAGE	2 OF 3		
CHECKED BY	KLE						



VIEW A-A
ROTATED 90°

TRI COLLAR & PLATFORM REINFORCEMENT DETAIL

UNLESS OTHERWISE SPECIFIED ALL DIMENSIONS INCLUDE FINISHES AND ARE IN INCHES		MATERIAL:			12' HD PLATFORM (NO COLLARS) FITS 10"Ø TO 40"Ø MONOPOLES			
TOLERANCES: FRACTIONS ± 1/16" ANGLES ± 1/2 DEG. DECIMALS ± .010"		TOLERANCES DO NOT APPLY TO RAW MATERIAL						
<p style="text-align: center;">CONFIDENTIAL</p> <p>This document and the information contained herein is the confidential trade secret property of Sabre Communications Corporation ("Sabre") and must not be reproduced, copied or used, in whole or in part, for any purpose without the prior written consent of Sabre. © 2016 Sabre Communications Corporation. All rights reserved.</p>				DATE	02/16/16	SIZE B	DRAWING NO. C10855115C	REV 1
				DRAWN BY	WRF			
1	04/18/16	WRF	KLE	DESIGN UPDATE	CHECKED BY	KLE	None	3 OF 3
REV	DATE	DRW	CHK	DESCRIPTION				