

C10855117C 12' HD PLATFORM W/CROSSOVERS (NO COLLARS)

ITEM	QTY.	PART NO.	DESCRIPTION	WEIGHT
1.	3	CW01320	WELDMENT, PLATFORM CORNER	612
2.	3	CS03348	SQUARE TUBE, 3 X 3 X 3/16 X 12'-6	268
3.	3	CS03354	PLATE, UPPER CONNECTION	22
4.	3	CW01322	WELDMENT, KICKER SUPPORT	31
5.	3	CW01291	WELDMENT, KICKER SUPPORT	32
6.	6	CS03372	ANGLE, KICKER	82
7.	12	CS03351	CROSSOVER PLATE	58
8.	18	C40026024	BOLT ASSEMBLY, 5/8 ϕ X 2 1/4 A325	9
9.	12	C40026023	BOLT ASSEMBLY, 5/8 ϕ X 2 A325	6
10.	12	C40024106	BOLT ASSEMBLY, 1/2 ϕ X 6 1/2 GR5 FULL THD	5
11.	12	C40031003	FLATWASHER, 5/8 ϕ HARDENED ASTM F436	1
12.	24	C40031002	FLATWASHER, 1/2 ϕ HARDENED ASTM F436	1
13.	12	C40035017	SQ. U-BOLT ASSEMBLY, 5/8 ϕ X 4 1/4 C-C	25
14.	24	C40035106	SQ. U-BOLT ASSEMBLY, 1/2 ϕ X 3 5/8 C-C	23
15.	24	C40034140	U-BOLT ASSEMBLY, 1/2 ϕ X 3 7/16 C-C	22
16.	1	Z30992011	MOUNT CLASSIFICATION TAG C10855115C	1
17.	2	C40062104	STAINLESS STEEL SELF-LOCKING CABLE TIE	1
TOTAL WEIGHT				1199

ISOMETRIC VIEW
SEE PAGES 2 & 3 FOR ADDITIONAL DETAILS

UNLESS OTHERWISE SPECIFIED ALL DIMENSIONS INCLUDE FINISHES AND ARE IN INCHES		MATERIAL:	
TOLERANCES: FRACTIONS \pm 1/16" ANGLES \pm 1/2 DEG. DECIMALS \pm .010"		TOLERANCES DO NOT APPLY TO RAW MATERIAL	
1	04/18/16	WRF/KLE	DESIGN UPDATE
REV	DATE	DRW/CHK	DESCRIPTION



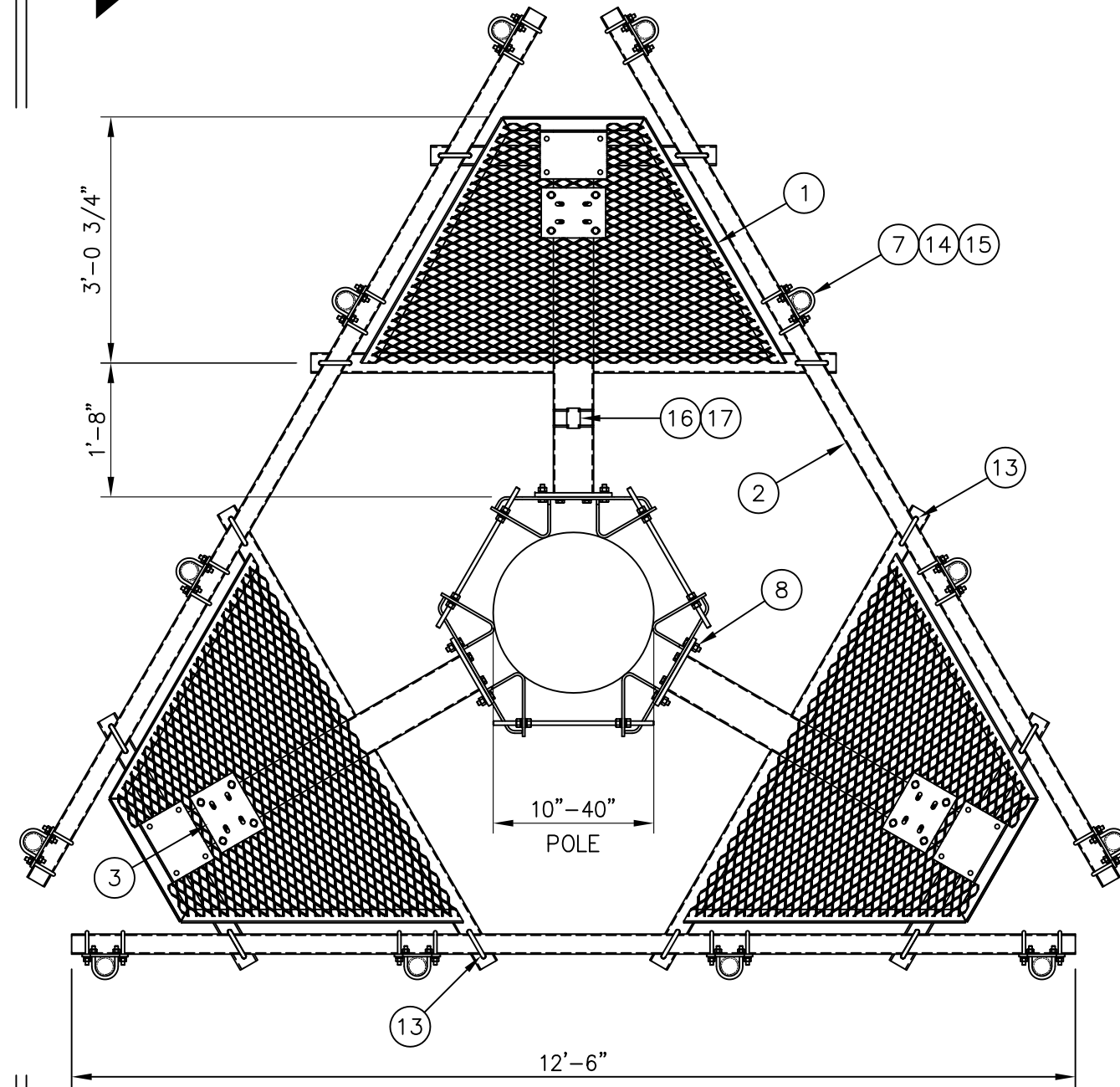
**12' HD PLATFORM (NO COLLARS)
WITH 2 7/8" ϕ - 3" SQUARE CROSSOVERS
FITS 10" ϕ TO 40" ϕ MONOPOLES**

CONFIDENTIAL
This document and the information contained herein is the confidential trade secret property of Sabre Communications Corporation ("Sabre") and must not be reproduced, copied or used, in whole or in part, for any purpose without the prior written consent of Sabre.
© 2016 Sabre Communications Corporation. All rights reserved.

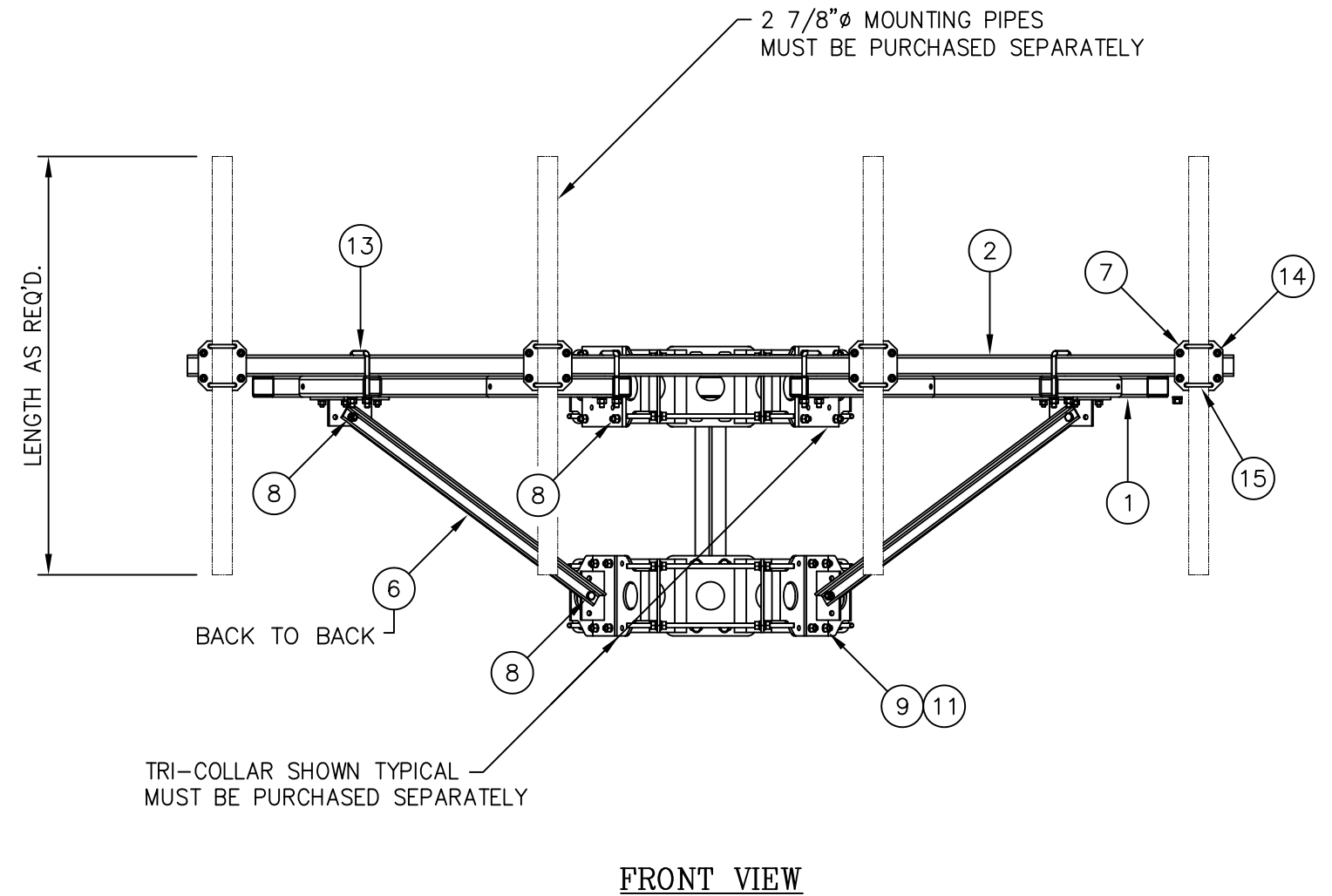
DATE	02/16/16	SIZE	DRAWING NO.	REV
DRAWN BY	WRF			B
CHECKED BY	KLE	SCALE		PAGE
		None		1 OF 3



A



PLAN VIEW



FRONT VIEW

A
PAGE 3

UNLESS OTHERWISE SPECIFIED
ALL DIMENSIONS INCLUDE
FINISHES AND ARE IN INCHES
TOLERANCES: FRACTIONS $\pm 1/16''$
ANGLES $\pm 1/2$ DEG.
DECIMALS $\pm .010''$

MATERIAL:
TOLERANCES DO NOT APPLY
TO RAW MATERIAL

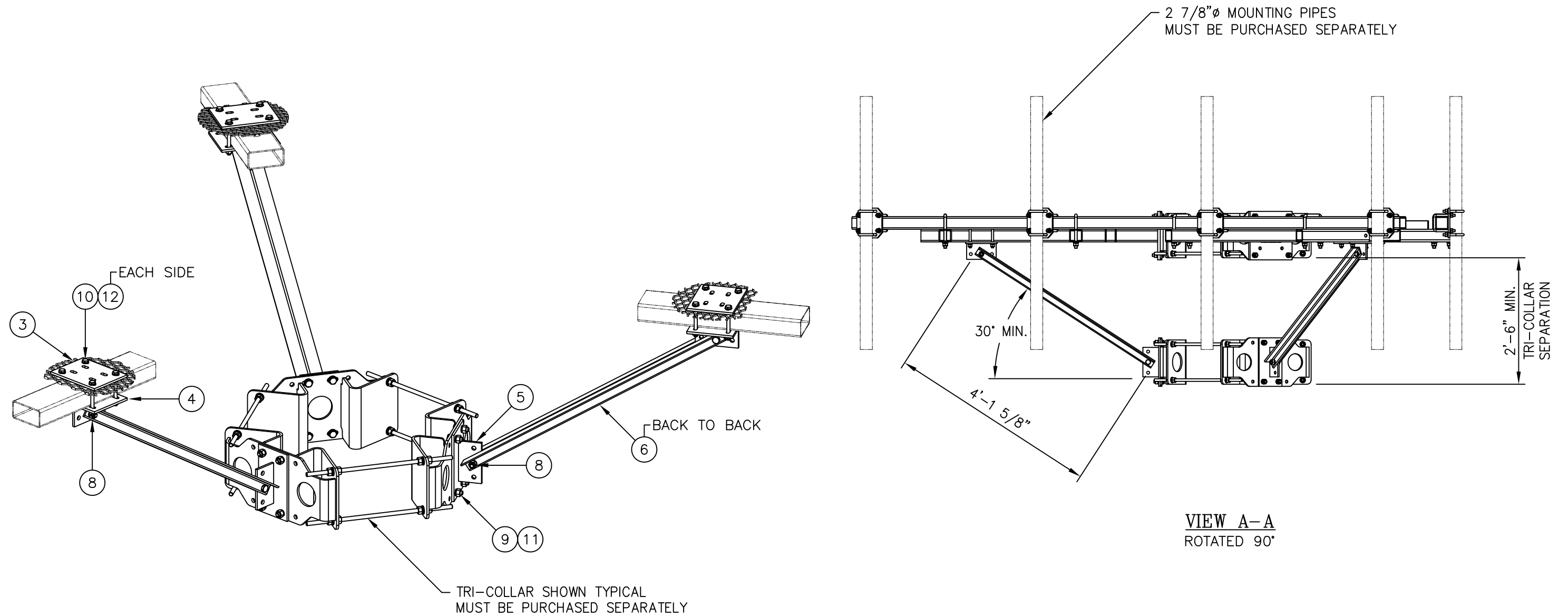


CONFIDENTIAL
This document and the information
contained herein is the confidential trade
secret property of Sabre Communications
Corporation ("Sabre") and must not be
reproduced, copied or used, in whole or in
part, for any purpose without the prior
written consent of Sabre.
© 2016 Sabre Communications Corporation.
All rights reserved.

12' HD PLATFORM (NO COLLARS)
WITH 2 7/8" ϕ - 3" SQUARE CROSSOVERS
FITS 10" ϕ TO 40" ϕ MONOPOLES

REV	DATE	DRW	CHK	DESCRIPTION
1	04/18/16	WRF	KLE	DESIGN UPDATE

DATE	02/16/16	SIZE	B	DRAWING NO.	C10855117C	REV	1
DRAWN BY	WRF	SCALE	None	PAGE	2 OF 3		
CHECKED BY	KLE						



TRI-COLLAR & PLATFORM REINFORCEMENT DETAIL

UNLESS OTHERWISE SPECIFIED
ALL DIMENSIONS INCLUDE
FINISHES AND ARE IN INCHES
TOLERANCES: FRACTIONS ± 1/16"
ANGLES ± 1/2 DEG.
DECIMALS ± .010"

MATERIAL:

TOLERANCES DO NOT APPLY
TO RAW MATERIAL



CONFIDENTIAL
This document and the information
contained herein is the confidential trade
secret property of Sabre Communications
Corporation ("Sabre") and must not be
reproduced, copied or used, in whole or in
part, for any purpose without the prior
written consent of Sabre.
© 2016 Sabre Communications Corporation.
All rights reserved.

12' HD PLATFORM (NO COLLARS)
WITH 2 7/8"φ - 3" SQUARE CROSSOVERS
FITS 10"φ TO 40"φ MONOPOLES

REV	DATE	DRW	CHK	DESCRIPTION
1	04/18/16	WRF	KLE	DESIGN UPDATE

DATE	02/16/16	SIZE	B	DRAWING NO.	C10855117C	REV	1
DRAWN BY	WRF	SCALE	None	PAGE	3 OF 3		
CHECKED BY	KLE						