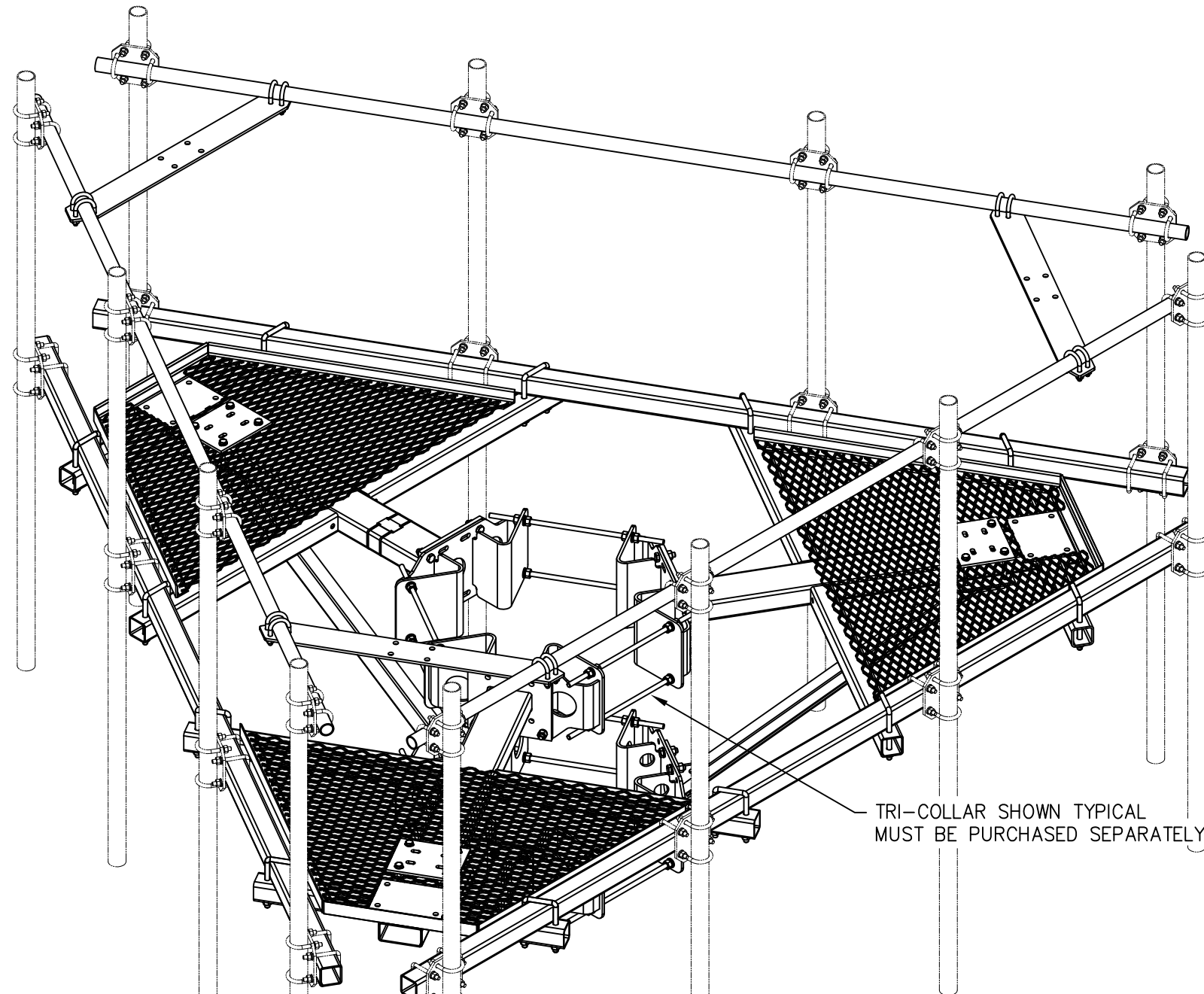




C10855225C 12' HD PLATFORM W/SUPPORT RAIL (NO COLLARS)

ITEM	QTY.	PART NO.	DESCRIPTION	WEIGHT
1.	3	CW01320	WELDMENT, PLATFORM CORNER	612
2.	3	CS03348	SQUARE TUBE, 3 X 3 X 3/16 X 12'-6	268
3.	3	CS03354	PLATE, UPPER CONNECTION	22
4.	3	CW01322	WELDMENT, KICKER SUPPORT	31
5.	3	CW01291	WELDMENT, KICKER SUPPORT	32
6.	6	CS03372	ANGLE, KICKER	82
7.	3	CS03349	PLATE, CONNECTION 3/8 X 4 3/8 X 3'-6 1/16	56
8.	3	CS02229	PIPE, 1.9 O.D. X .145 X 12'-6	106
9.	18	C40026024	BOLT ASSEMBLY, 5/8 Ø X 2 1/4 A325	9
10.	12	C40026023	BOLT ASSEMBLY, 5/8 Ø X 2 A325	6
11.	12	C40024106	BOLT ASSEMBLY, 1/2 Ø X 6 1/2 GR5 FULL THD	5
12.	12	C40031003	FLATWASHER, 5/8 Ø HARDENED ASTM F436	1
13.	24	C40031002	FLATWASHER, 1/2 Ø HARDENED ASTM F436	1
14.	12	C40035017	SQ. U-BOLT ASSEMBLY, 5/8 Ø X 4 1/4 C-C	25
15.	12	C40034060	U-BOLT ASSEMBLY, 1/2 Ø X 2 9/16 C-C	9
16.	1	Z30992012	MOUNT CLASSIFICATION TAG C10855225C	1
17.	2	C40062104	STAINLESS STEEL SELF-LOCKING CABLE TIE	1
TOTAL WEIGHT				1267



MOUNTING PIPES & CROSSOVER PLATE KITS MUST BE PURCHASED SEPARATELY

TRI-COLLAR SHOWN TYPICAL MUST BE PURCHASED SEPARATELY

ISOMETRIC VIEW
SEE PAGES 2 & 3 FOR ADDITIONAL DETAILS

UNLESS OTHERWISE SPECIFIED
ALL DIMENSIONS INCLUDE
FINISHES AND ARE IN INCHES
TOLERANCES: FRACTIONS ± 1/16"
ANGLES ± 1/2 DEG.
DECIMALS ± .010"

MATERIAL:
TOLERANCES DO NOT APPLY
TO RAW MATERIAL



12' HD PLATFORM (NO COLLARS)
WITH SUPPORT RAIL
FITS 10"Ø TO 40"Ø MONOPOLES

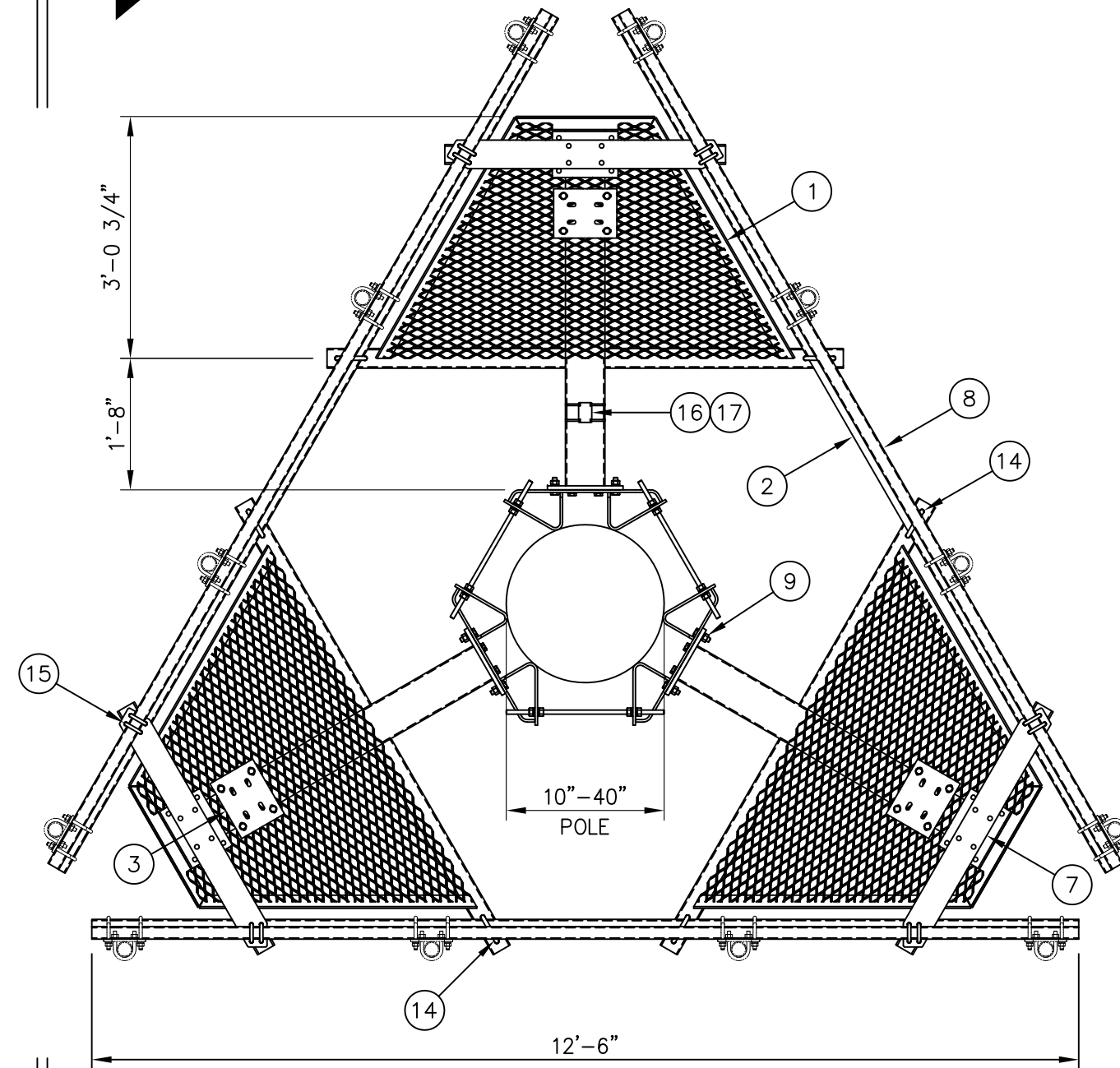
REV	DATE	DRW/CHK	DESCRIPTION
1	04/18/16	WRF/KLE	DESIGN UPDATE

CONFIDENTIAL
This document and the information contained herein is the confidential trade secret property of Sabre Communications Corporation ("Sabre") and must not be reproduced, copied or used, in whole or in part, for any purpose without the prior written consent of Sabre.
© 2016 Sabre Communications Corporation. All rights reserved.

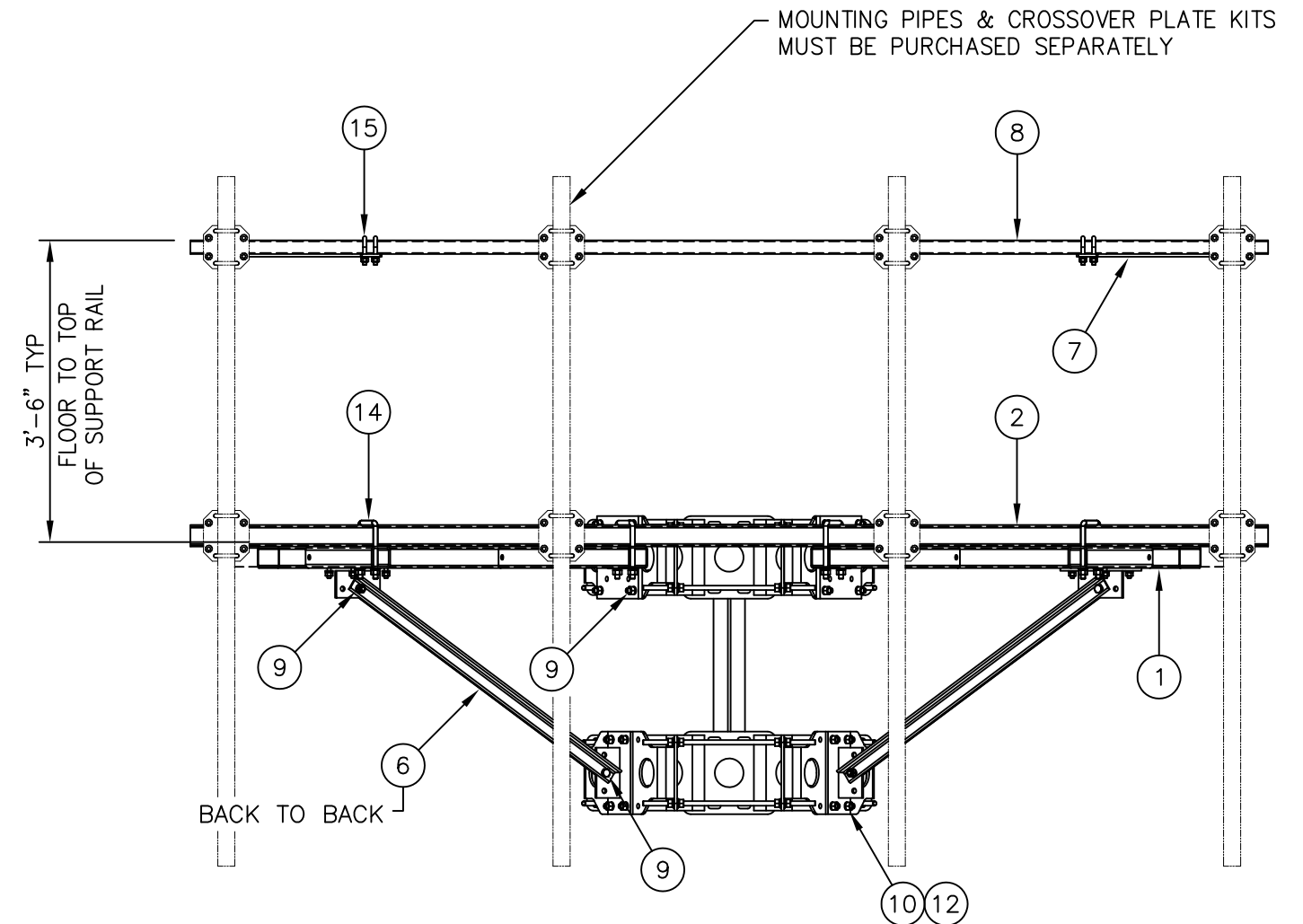
DATE	02/16/16	SIZE	DRAWING NO.	REV
DRAWN BY	WRF	B	C10855225C	1
CHECKED BY	KLE	SCALE	None	PAGE 1 OF 3



A



PLAN VIEW



FRONT VIEW

A
PAGE 3

UNLESS OTHERWISE SPECIFIED
ALL DIMENSIONS INCLUDE
FINISHES AND ARE IN INCHES
TOLERANCES: FRACTIONS $\pm 1/16''$
ANGLES $\pm 1/2$ DEG.
DECIMALS $\pm .010''$

MATERIAL:
TOLERANCES DO NOT APPLY
TO RAW MATERIAL

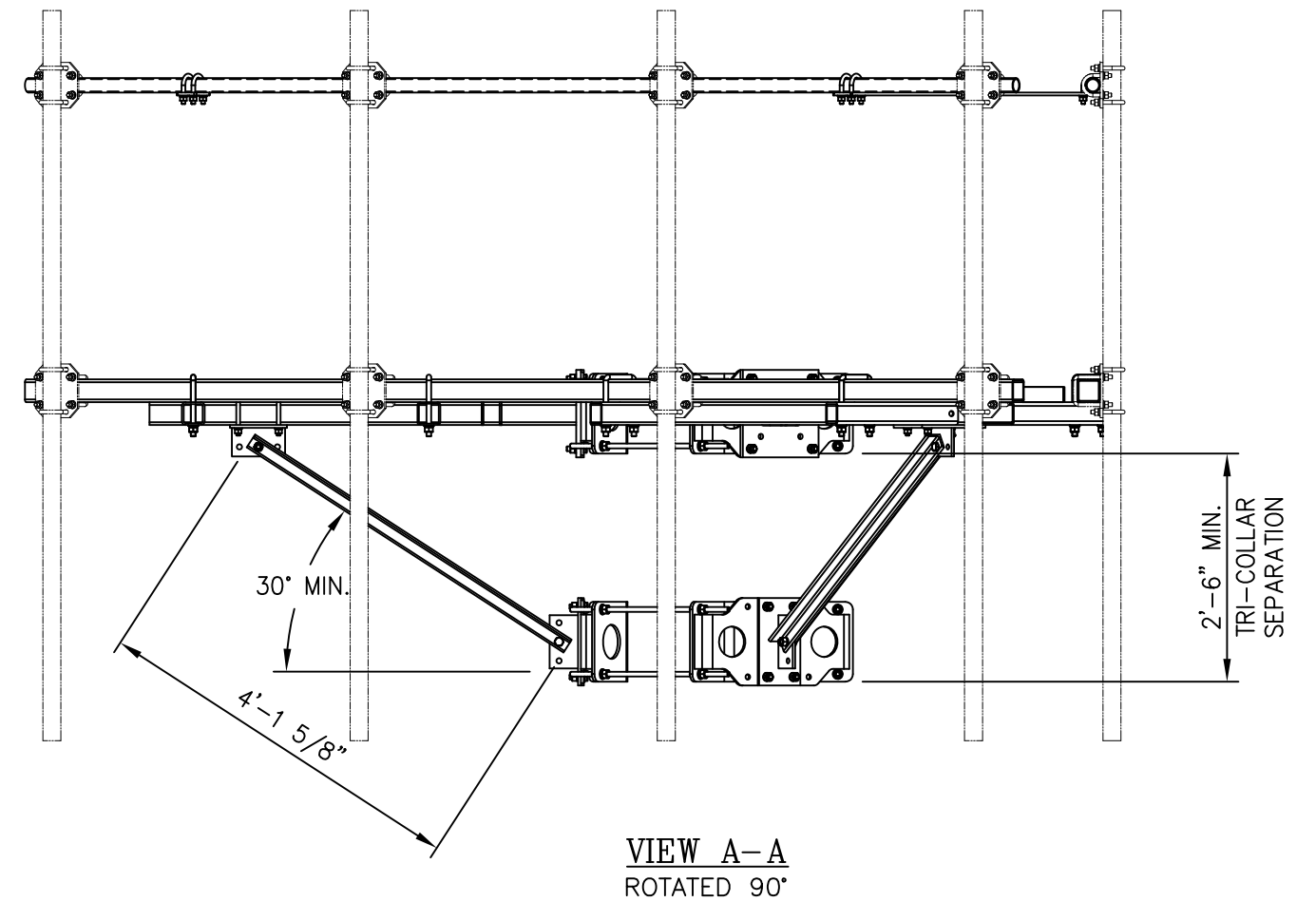
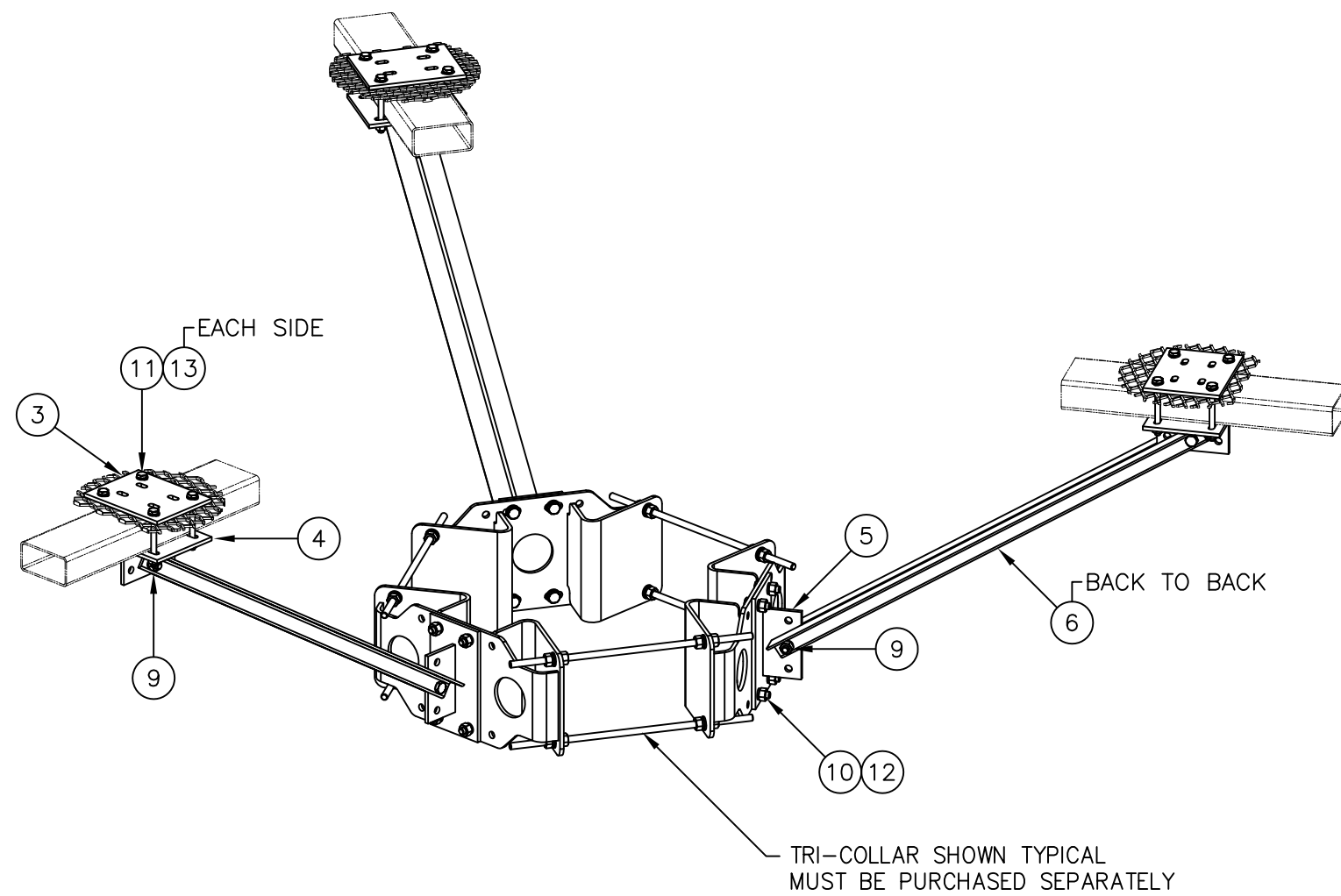


12' HD PLATFORM (NO COLLARS)
WITH SUPPORT RAIL
FITS 10"Ø TO 40"Ø MONOPOLES

REV	DATE	DRW	CHK	DESCRIPTION
1	04/18/16	WRF	KLE	DESIGN UPDATE

CONFIDENTIAL
This document and the information contained herein is the confidential trade secret property of Sabre Communications Corporation ("Sabre") and must not be reproduced, copied or used, in whole or in part, for any purpose without the prior written consent of Sabre.
© 2016 Sabre Communications Corporation. All rights reserved.

DATE	02/16/16	SIZE	B	DRAWING NO.	C10855225C	REV	1
DRAWN BY	WRF	SCALE	None	PAGE	2 OF 3		
CHECKED BY	KLE						



TRI-COLLAR & PLATFORM REINFORCEMENT DETAIL

UNLESS OTHERWISE SPECIFIED
ALL DIMENSIONS INCLUDE
FINISHES AND ARE IN INCHES
TOLERANCES: FRACTIONS $\pm 1/16"$
ANGLES $\pm 1/2$ DEG.
DECIMALS $\pm .010"$

MATERIAL:
TOLERANCES DO NOT APPLY
TO RAW MATERIAL



12' HD PLATFORM (NO COLLARS)
WITH SUPPORT RAIL
FITS 10"Ø TO 40"Ø MONOPOLES

REV	DATE	DRW	CHK	DESCRIPTION
1	04/18/16	WRF	KLE	DESIGN UPDATE

CONFIDENTIAL
This document and the information
contained herein is the confidential trade
secret property of Sabre Communications
Corporation ("Sabre") and must not be
reproduced, copied or used, in whole or in
part, for any purpose without the prior
written consent of Sabre.
© 2016 Sabre Communications Corporation.
All rights reserved.

DATE	02/16/16	SIZE	B	DRAWING NO.	C10855225C	REV	1
DRAWN BY	WRF	SCALE	None	PAGE	3 OF 3		
CHECKED BY	KLE						