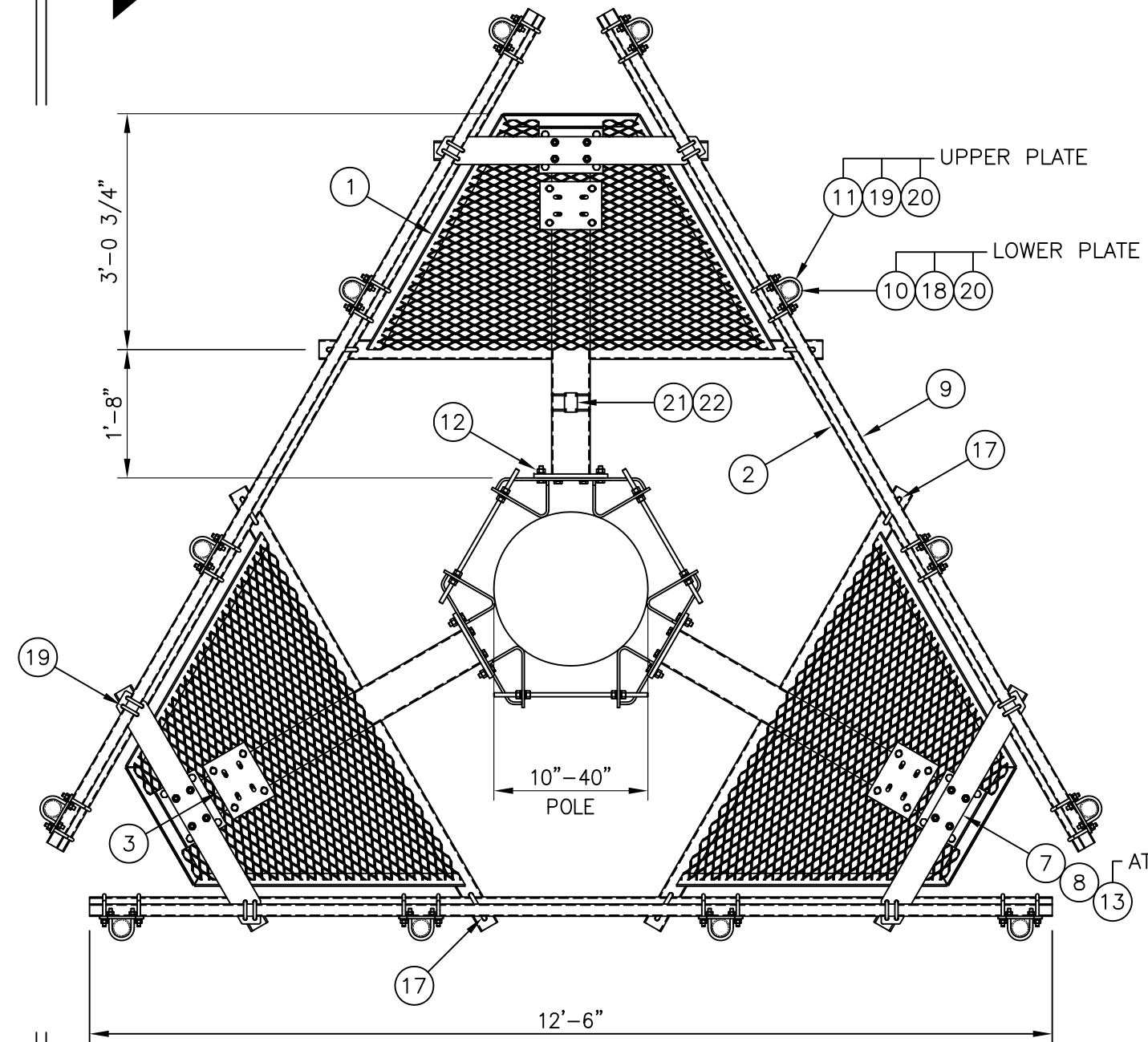
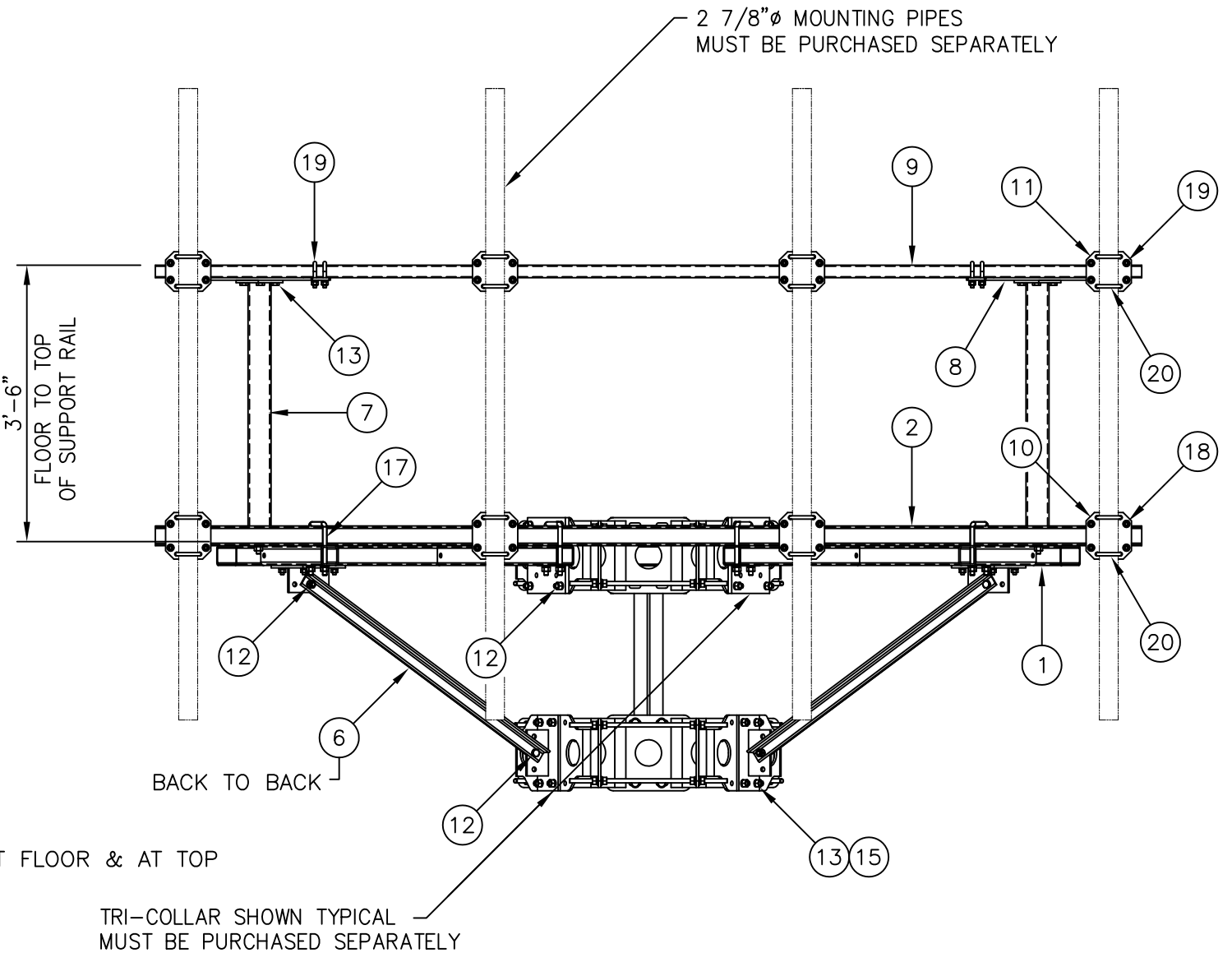




A



PLAN VIEW



FRONT VIEW

A
PAGE 3

UNLESS OTHERWISE SPECIFIED
ALL DIMENSIONS INCLUDE
FINISHES AND ARE IN INCHES
TOLERANCES: FRACTIONS $\pm 1/16''$
ANGLES $\pm 1/2$ DEG.
DECIMALS $\pm .010''$

MATERIAL:
TOLERANCES DO NOT APPLY
TO RAW MATERIAL

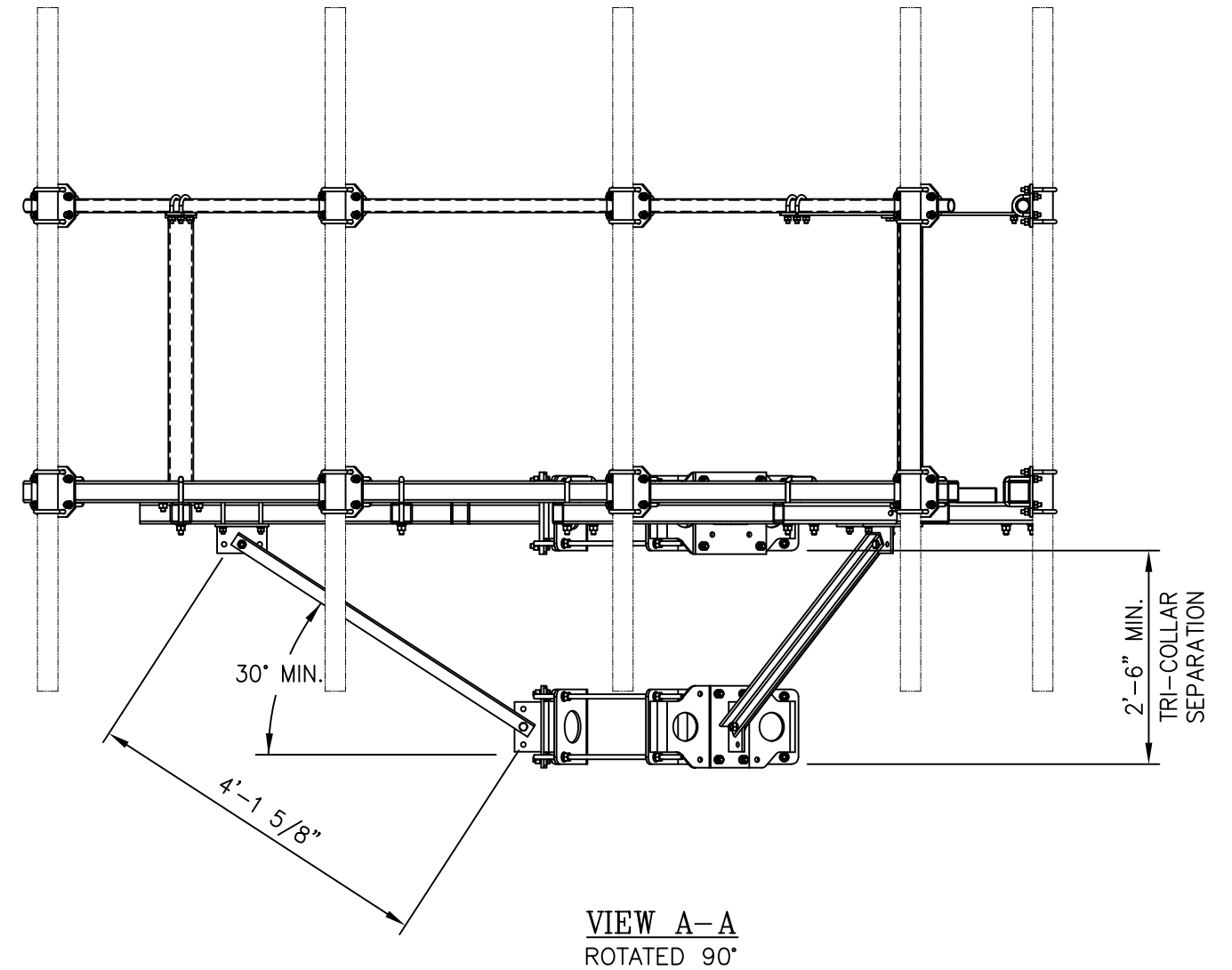
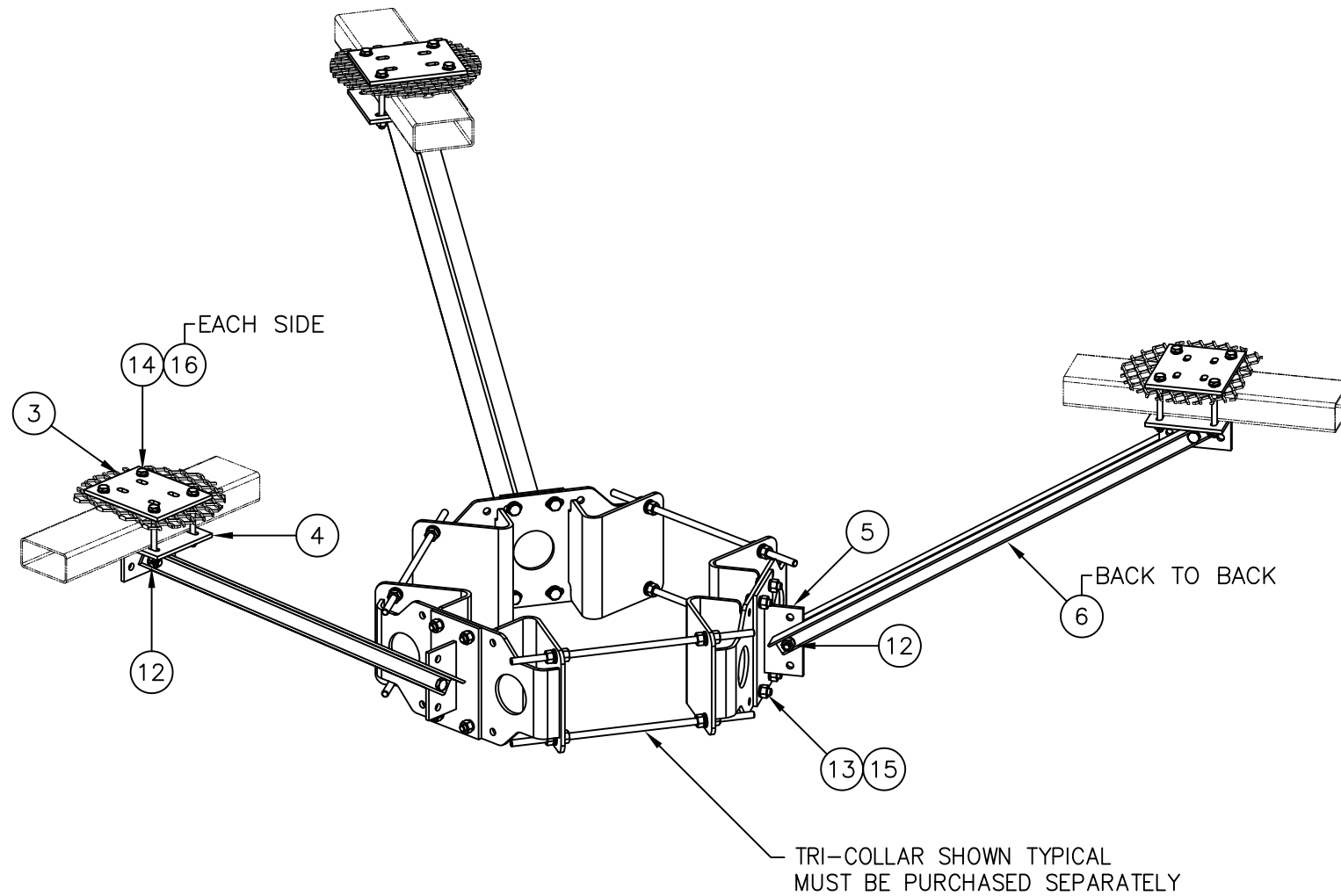


CONFIDENTIAL
This document and the information
contained herein is the confidential trade
secret property of Sabre Communications
Corporation ("Sabre") and must not be
reproduced, copied or used, in whole or in
part, for any purpose without the prior
written consent of Sabre.
© 2016 Sabre Communications Corporation.
All rights reserved.

12' HD PLATFORM (NO COLLARS)
WITH ENHANCED SUPPORT RAIL &
1.9" ϕ - 2 7/8" ϕ CROSSOVERS
2 7/8" ϕ - 3" SQUARE CROSSOVERS
FITS 10" ϕ TO 40" ϕ MONOPOLES

| REV | DATE | DRW | CHK | DESCRIPTION |
|-----|----------|-----|-----|---------------|
| 1 | 04/18/16 | WRF | KLE | DESIGN UPDATE |

| | | | | | | | |
|----------|----------|------------|-----|-------------|------------|------|--------|
| DATE | 02/16/16 | SIZE | B | DRAWING NO. | C10855337C | REV | 1 |
| DRAWN BY | WRF | CHECKED BY | KLE | SCALE | None | PAGE | 2 OF 3 |



TRI-COLLAR & PLATFORM REINFORCEMENT DETAIL

UNLESS OTHERWISE SPECIFIED
ALL DIMENSIONS INCLUDE
FINISHES AND ARE IN INCHES
TOLERANCES: FRACTIONS $\pm 1/16"$
ANGLES $\pm 1/2$ DEG.
DECIMALS $\pm .010"$

MATERIAL:
TOLERANCES DO NOT APPLY
TO RAW MATERIAL



CONFIDENTIAL
This document and the information
contained herein is the confidential trade
secret property of Sabre Communications
Corporation ("Sabre") and must not be
reproduced, copied or used, in whole or in
part, for any purpose without the prior
written consent of Sabre.
© 2016 Sabre Communications Corporation.
All rights reserved.

12' HD PLATFORM (NO COLLARS)
WITH ENHANCED SUPPORT RAIL &
1.9" ϕ - 2 7/8" ϕ CROSSOVERS
2 7/8" ϕ - 3" SQUARE CROSSOVERS
FITS 10" ϕ TO 40" ϕ MONOPOLES

| REV | DATE | DRW | CHK | DESCRIPTION |
|-----|----------|-----|-----|---------------|
| 1 | 04/18/16 | WRF | KLE | DESIGN UPDATE |

| | | | | | | | |
|------------|----------|-------|------|-------------|------------|-----|---|
| DATE | 02/16/16 | SIZE | B | DRAWING NO. | C10855337C | REV | 1 |
| DRAWN BY | WRF | SCALE | None | PAGE | 3 OF 3 | | |
| CHECKED BY | KLE | | | | | | |