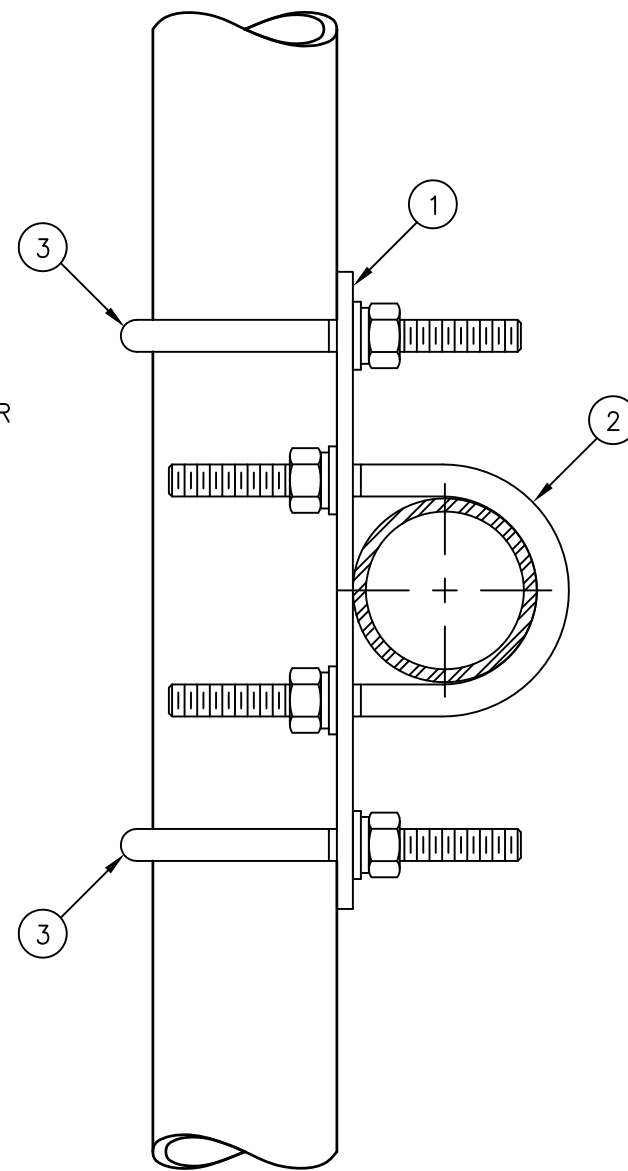
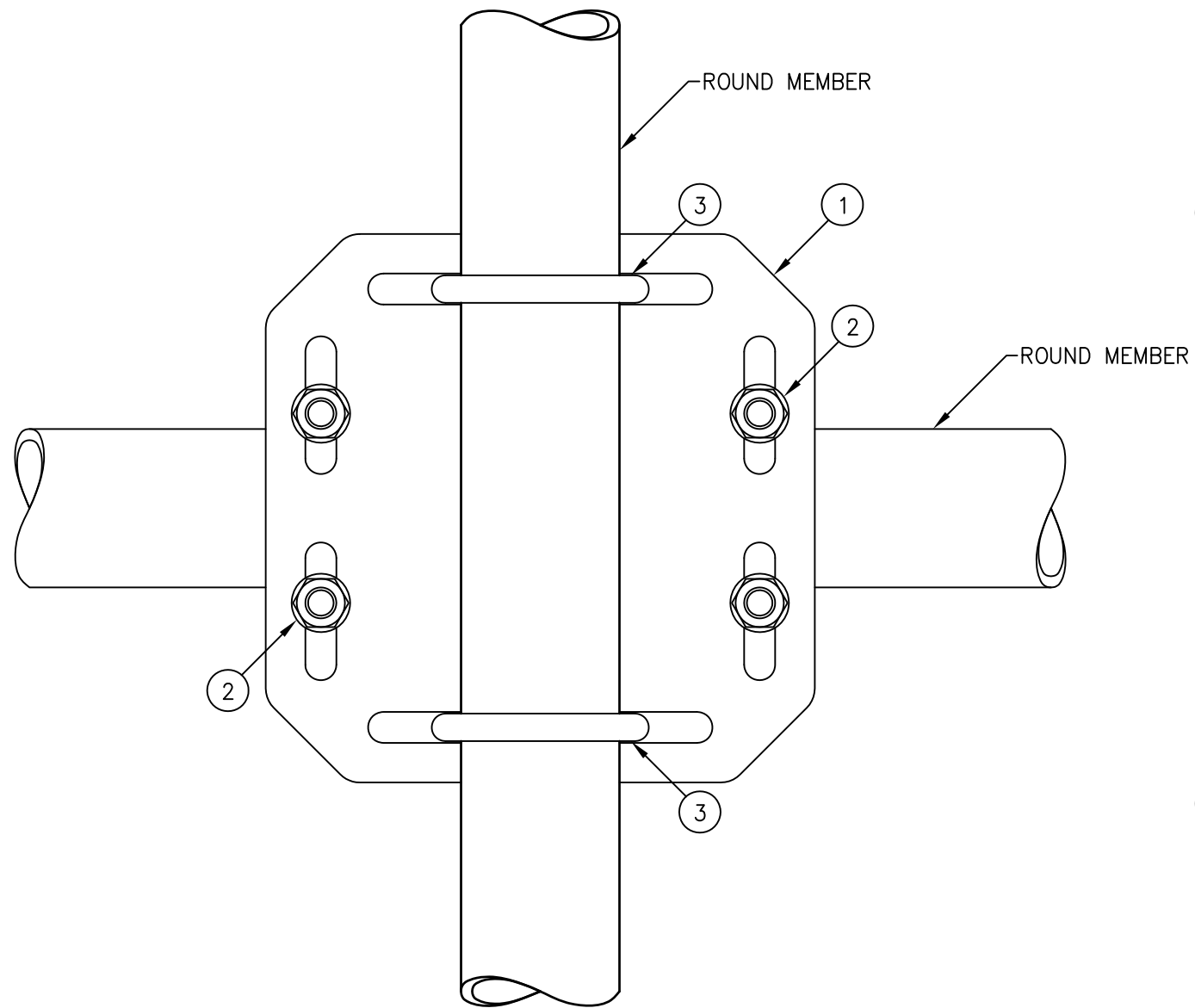




LIST OF MATERIAL FOR ROUND TO ROUND CROSSOVER KIT

ITEM	QTY.	PART NO.	DESCRIPTION	WEIGHT
1.	1	CS00428	CROSSOVER PLATE	5.9#
2.	2	*	5/8"φ U-BOLT ASSEMBLY	*
3.	2	*	5/8"φ U-BOLT ASSEMBLY	*

* SEE CROSSOVER KIT CHARTS ON PAGES 2 AND 3 FOR U-BOLT PART NUMBERS AND KIT WEIGHTS.



UNLESS OTHERWISE SPECIFIED
ALL DIMENSIONS INCLUDE
FINISHES AND ARE IN INCHES
TOLERANCES: FRACTIONS ± 1/16"
ANGLES ± 1/2 DEG.
DECIMALS ± .010"

MATERIAL:
TOLERANCES DO NOT APPLY
TO RAW MATERIAL



CROSSOVER PLATE KITS
ROUND TO ROUND MEMBERS
5/8" HARDWARE

REV	DATE	DRW/CHK	DESCRIPTION

CONFIDENTIAL
This document and the information contained herein is the confidential trade secret property of Sabre Communications Corporation ("Sabre") and must not be reproduced, copied or used, in whole or in part, for any purpose without the prior written consent of Sabre.
© 2006 Sabre Communications Corporation. All rights reserved.

DATE	3/25/04	SIZE	B	DRAWING NO.	C109023	REV	0
DRAWN BY	WRF	CHECKED BY	CE	SCALE	None	PAGE	1 OF 3



ROUND TO ROUND CROSSOVER PLATE KITS (5/8" HARDWARE)					
ROUND TO ROUND DIAMETERS		KIT PART NUMBER	U-BOLT ASSEMBLY		KIT WEIGHT
			ITEM #2 (2 REQ'D.)	ITEM #3 (2 REQ'D.)	
2 3/4"-2 7/8"	2 3/4"-2 7/8"	C10902366	C40034025	C40034025	13.0#
2 3/4"-2 7/8"	3"	C10902367	C40034025	C40034026	13.1#
2 3/4"-2 7/8"	3 1/4"	C10902368	C40034025	C40034027	13.2#
2 3/4"-2 7/8"	3 1/2"	C10902369	C40034025	C40034028	13.3#
2 3/4"-2 7/8"	3 3/4"	C10902370	C40034025	C40034029	13.4#
2 3/4"-2 7/8"	4"	C10902371	C40034025	C40034030	13.5#
2 3/4"-2 7/8"	4 1/4"	C10902372	C40034025	C40034031	13.6#
2 3/4"-2 7/8"	4 1/2"	C10902373	C40034025	C40034032	13.8#
2 3/4"-2 7/8"	4 3/4"	C10902374	C40034025	C40034033	13.9#
2 3/4"-2 7/8"	5"	C10902375	C40034025	C40034034	13.9#
3"	3"	C10902376	C40034026	C40034026	13.1#
3"	3 1/4"	C10902377	C40034026	C40034027	13.3#
3"	3 1/2"	C10902378	C40034026	C40034028	13.4#
3"	3 3/4"	C10902379	C40034026	C40034029	13.5#
3"	4"	C10902380	C40034026	C40034030	13.6#
3"	4 1/4"	C10902381	C40034026	C40034031	13.7#
3"	4 1/2"	C10902382	C40034026	C40034032	13.8#
3"	4 3/4"	C10902383	C40034026	C40034033	14.0#
3"	5"	C10902384	C40034026	C40034034	14.0#
3 1/4"	3 1/4"	C10902385	C40034027	C40034027	13.4#
3 1/4"	3 1/2"	C10902386	C40034027	C40034028	13.5#
3 1/4"	3 3/4"	C10902387	C40034027	C40034029	13.6#
3 1/4"	4"	C10902388	C40034027	C40034030	13.7#
3 1/4"	4 1/4"	C10902389	C40034027	C40034031	13.8#
3 1/4"	4 1/2"	C10902390	C40034027	C40034032	14.0#
3 1/4"	4 3/4"	C10902391	C40034027	C40034033	14.1#
3 1/4"	5"	C10902392	C40034027	C40034034	14.1#
3 1/2"	3 1/2"	C10902393	C40034028	C40034028	13.6#
3 1/2"	3 3/4"	C10902394	C40034028	C40034029	13.7#
3 1/2"	4"	C10902395	C40034028	C40034030	13.8#
3 1/2"	4 1/4"	C10902396	C40034028	C40034031	13.9#
3 1/2"	4 1/2"	C10902397	C40034028	C40034032	14.1#
3 1/2"	4 3/4"	C10902398	C40034028	C40034033	14.2#

ROUND TO ROUND CROSSOVER PLATE KITS (5/8" HARDWARE)					
ROUND TO ROUND DIAMETERS		KIT PART NUMBER	U-BOLT ASSEMBLY		KIT WEIGHT
			ITEM #2 (2 REQ'D.)	ITEM #3 (2 REQ'D.)	
3 1/2"	5"	C10902399	C40034028	C40034034	14.2#
3 3/4"	3 3/4"	C10902400	C40034029	C40034029	13.8#
3 3/4"	4"	C10902401	C40034029	C40034030	13.9#
3 3/4"	4 1/4"	C10902402	C40034029	C40034031	14.1#
3 3/4"	4 1/2"	C10902403	C40034029	C40034032	14.2#
3 3/4"	4 3/4"	C10902404	C40034029	C40034033	14.3#
3 3/4"	5"	C10902405	C40034029	C40034034	14.4#
4"	4"	C10902406	C40034030	C40034030	14.1#
4"	4 1/4"	C10902407	C40034030	C40034031	14.2#
4"	4 1/2"	C10902408	C40034030	C40034032	14.3#
4"	4 3/4"	C10902409	C40034030	C40034033	14.4#
4"	5"	C10902410	C40034030	C40034034	14.5#
4 1/4"	4 1/4"	C10902411	C40034031	C40034031	14.3#
4 1/4"	4 1/2"	C10902412	C40034031	C40034032	14.4#
4 1/4"	4 3/4"	C10902413	C40034031	C40034033	14.5#
4 1/4"	5"	C10902414	C40034031	C40034034	14.6#
4 1/2"	4 1/2"	C10902415	C40034032	C40034032	14.5#
4 1/2"	4 3/4"	C10902416	C40034032	C40034033	14.7#
4 1/2"	5"	C10902417	C40034032	C40034034	14.7#
4 3/4"	4 3/4"	C10902418	C40034033	C40034033	14.8#
4 3/4"	5"	C10902419	C40034033	C40034034	14.8#
5"	5"	C10902420	C40034034	C40034034	14.9#

UNLESS OTHERWISE SPECIFIED
ALL DIMENSIONS INCLUDE
FINISHES AND ARE IN INCHES
TOLERANCES: FRACTIONS ± 1/16"
ANGLES ± 1/2 DEG.
DECIMALS ± .010"

MATERIAL:
TOLERANCES DO NOT APPLY
TO RAW MATERIAL



CONFIDENTIAL
This document and the information
contained herein is the confidential trade
secret property of Sabre Communications
Corporation ("Sabre") and must not be
reproduced, copied or used, in whole or in
part, for any purpose without the prior
written consent of Sabre.
© 2006 Sabre Communications Corporation.
All rights reserved.

CROSSOVER PLATE KITS
ROUND TO ROUND MEMBERS
5/8" HARDWARE

REV	DATE	DRW/CHK	DESCRIPTION	DATE	3/25/04	SIZE	B	DRAWING NO.	C109023	REV	0
				DRAWN BY	WRF			SCALE	None	PAGE	3 OF 3
				CHECKED BY	CE						