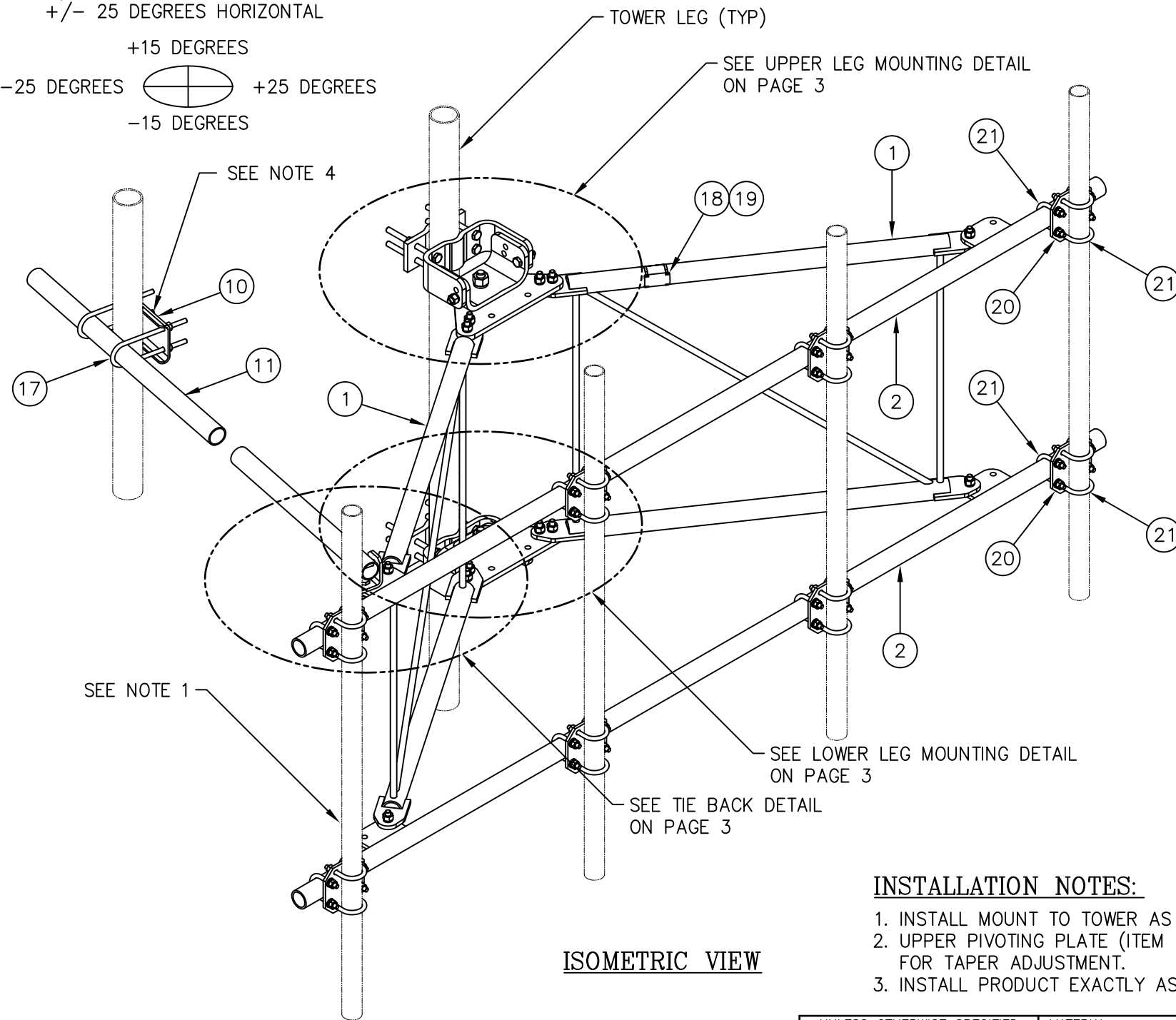
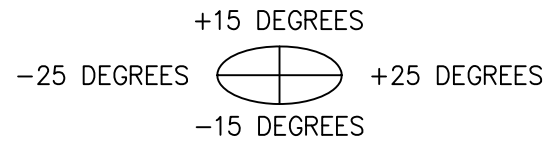




TIEBACK ANGLE RANGE DETAIL

+/- 15 DEGREES VERTICAL
 +/- 25 DEGREES HORIZONTAL



ISOMETRIC VIEW

C10857022C 10' HD V-BOOM ASSEMBLY W/TIEBACK

ITEM	QTY.	PART NO.	DESCRIPTION	WEIGHT
1.	2	CW01222	WELDMENT, STANDOFF ARM	126
2.	2	CW01224	WELDMENT, FACE PIPE	126
3.	2	CS03109	PLATE, ROTATING	34
4.	1	CS03110	PLATE, PIVOTING (UPPER)	16
5.	1	CS03111	PLATE, LEG CLAMP (UPPER)	17
6.	1	CS03112	PLATE, PIVOTING (LOWER)	14
7.	1	CS03113	PLATE, LEG CLAMP (LOWER)	17
8.	2	CS03114	PLATE, LEG CLAMP (BACK)	14
9.	1	CS00098	PLATE, TIE BACK SWIVEL	3
10.	1	CS03285	PLATE, TIE BACK CLAMP	4
11.	1	CS03333	PIPE, TIE BACK	38
12.	2	C40026073	BOLT ASSEMBLY, 1 ϕ X 3 A325	4
13.	8	C40140004	BOLT ASSEMBLY, 5/8 ϕ X 8 A307	13
14.	1	C40026033	BOLT ASSEMBLY, 5/8 ϕ X 4 1/2 A325	1
15.	12	C40026025	BOLT ASSEMBLY, 5/8 ϕ X 2 1/2 A325	6
16.	5	C40026024	BOLT ASSEMBLY, 5/8 ϕ X 2 1/4 A325	3
17.	2	C40034183	U-BOLT ASSEMBLY, 1/2 ϕ X 2 9/16 C-C	3
18.	1	Z30992002	MOUNT CLASSIFICATION TAG C10857002C	1
19.	2	C40062103	STAINLESS STEEL SELF-LOCKING CABLE TIE	1
20.	8	CS03115	CROSSOVER PLATE (2 3/8-2 3/8 PIPE)	30
21.	32	C40034139	U-BOLT ASSEMBLY, 1/2 ϕ X 2 15/16 C-C	26
TOTAL WEIGHT				497

PACKAGING NOTE

CK00386 INCLUDES ITEMS 1, 3, 4, 5, 6, 7, 12 & 15 (8 QTY)
 CK00388 INCLUDES ITEMS 2, 8, 9, 10, 11, 13, 14, 15 (4 QTY), 16, 17, 18 & 19

INSTALLATION NOTES:

- INSTALL MOUNT TO TOWER AS SHOWN, SO THAT WELDED STANDOFF DIAGONAL IS SLOPING DOWNWARD FROM TOWER END TO FACE PIPE END.
- UPPER PIVOTING PLATE (ITEM 4) HAS THREE HOLES ON EACH SIDE AND UPPER LEG CLAMP PLATE (ITEM 5) HAS TWO HOLES ON EACH SIDE FOR TAPER ADJUSTMENT.
- INSTALL PRODUCT EXACTLY AS SHOWN IN DRAWING, WITH ALL BOLTS FACING UPWARDS.

NOTES:

- 2 3/8" O.D. MOUNTING PIPES MUST BE PURCHASED SEPARATELY.
- QUANTITIES SHOWN IN LISTS OF MATERIAL ARE FOR ONE (1) V-BOOM ONLY.
- THIS V-BOOM WILL MOUNT TO THE FOLLOWING: 1 1/2" ϕ TO 5 9/16" ϕ ROUND LEG.
- TIEBACK MUST BE CONNECTED TO A RIGID MEMBER THAT PROVIDES ADEQUATE SUPPORT WITHIN THE LIMITS NOTED ABOVE IN THE TIEBACK ANGLE RANGE DETAIL UNLESS APPROVED BY THE ENGINEER OF RECORD.

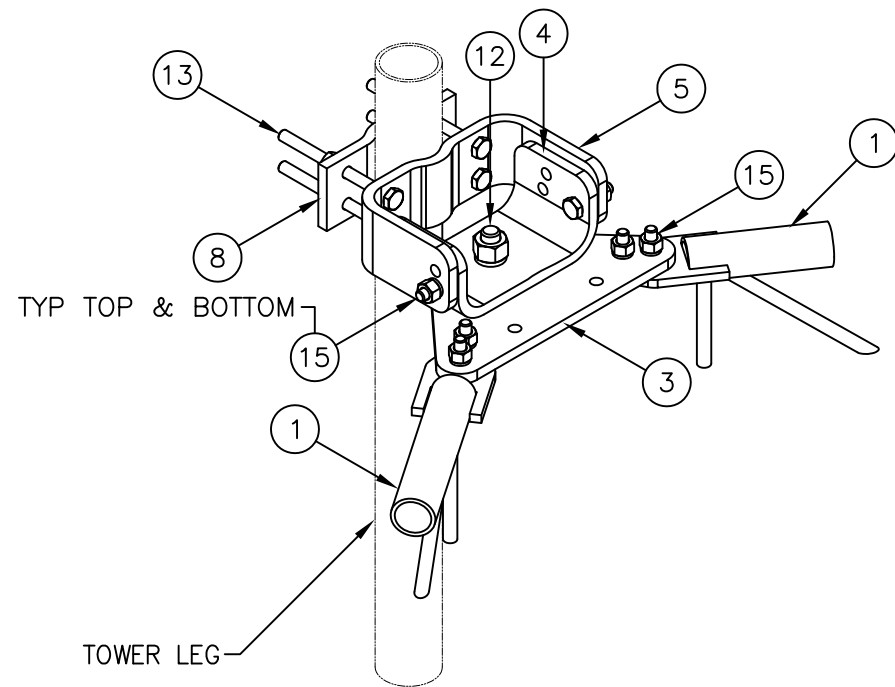
UNLESS OTHERWISE SPECIFIED ALL DIMENSIONS INCLUDE FINISHES AND ARE IN INCHES		MATERIAL:	
TOLERANCES: FRACTIONS \pm 1/16" ANGLES \pm 1/2 DEG. DECIMALS \pm .010"		TOLERANCES DO NOT APPLY TO RAW MATERIAL	
REV	DATE	DRW/CHK	DESCRIPTION
2	10/19/16	KLE/DEL	ADDED INSTALLATION NOTES
1	02/15/16	KLE/EK	ADDED PACKAGING NOTE

Sabre Industries™
Towers and Poles

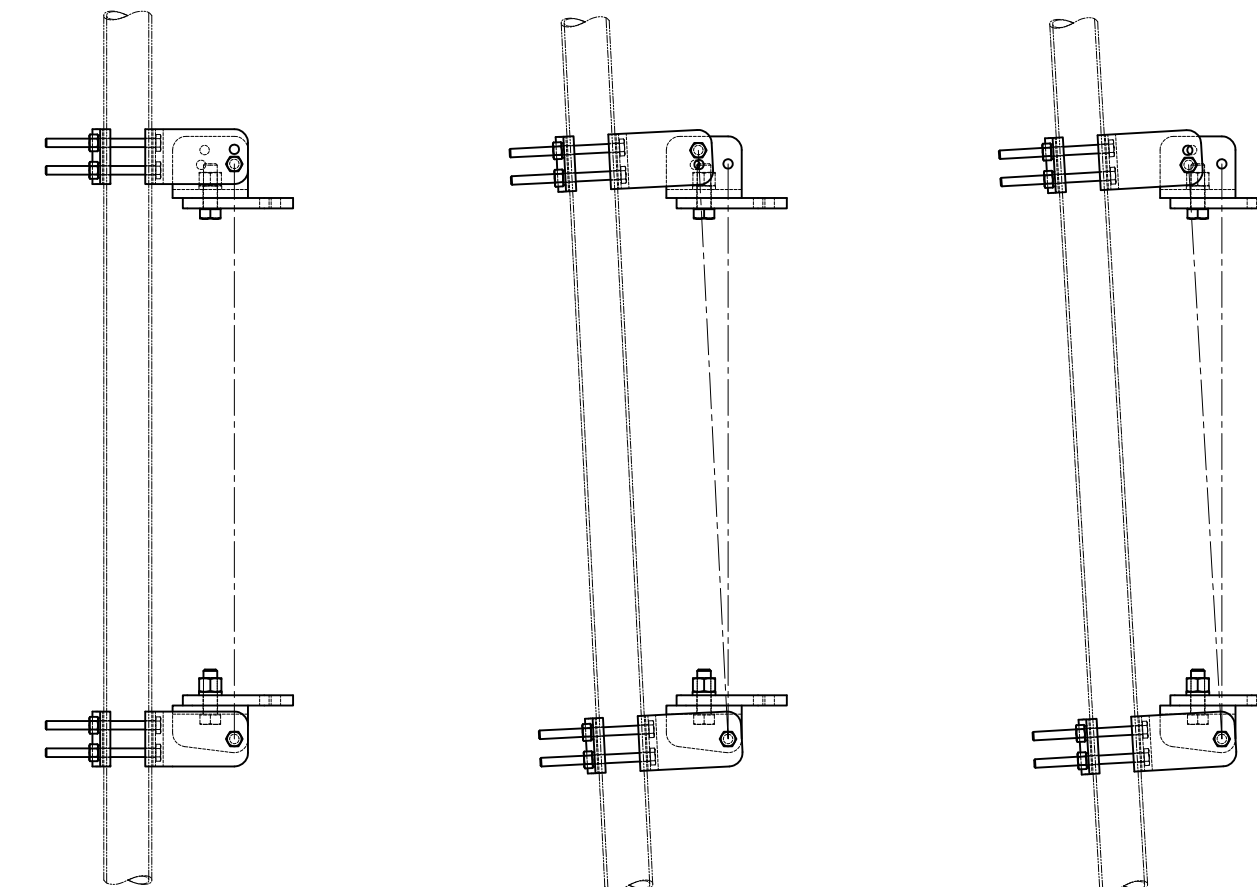
CONFIDENTIAL

This document and the information contained herein is the confidential trade secret property of Sabre Communications Corporation ("Sabre") and must not be reproduced, copied or used, in whole or in part, for any purpose without the prior written consent of Sabre.
 © 2016 Sabre Communications Corporation. All rights reserved.

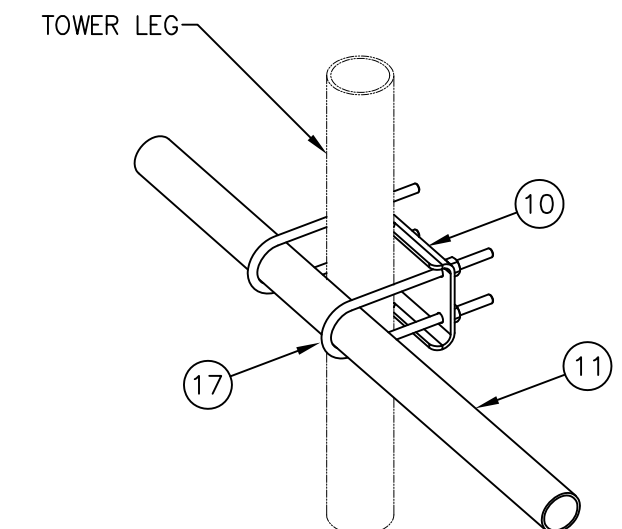
10' HD V-BOOM ASSEMBLY W/TIEBACK (3' STANDOFF) W/CROSSOVER PLATE KITS (2 3/8-2 3/8)			
DATE		01/16/16	REV
DRAWN BY		WRF	2
CHECKED BY		EK	
SIZE	DRAWING NO.		PAGE
B	C10857022C		1 OF 3
SCALE		None	



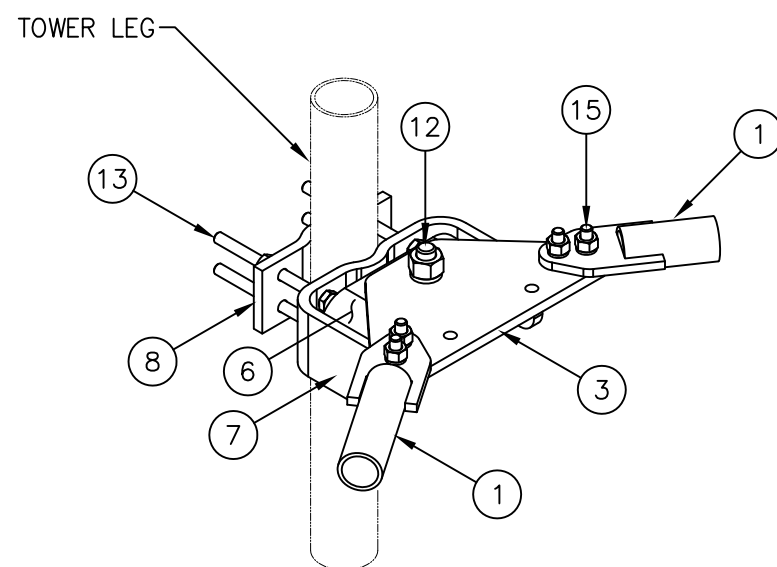
UPPER LEG MOUNTING DETAIL



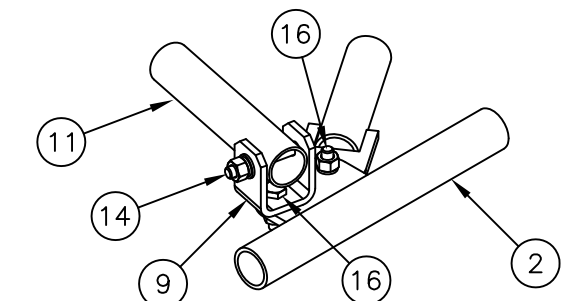
-----PIVOTING OPTIONS-----



**TIE BACK DETAIL
AT TOWER LEG**



LOWER LEG MOUNTING DETAIL



**TIE BACK DETAIL
AT ANTENNA MOUNTING FRAME**

UNLESS OTHERWISE SPECIFIED
ALL DIMENSIONS INCLUDE
FINISHES AND ARE IN INCHES
TOLERANCES: FRACTIONS $\pm 1/16"$
ANGLES $\pm 1/2$ DEG.
DECIMALS $\pm .010"$

MATERIAL:
TOLERANCES DO NOT APPLY
TO RAW MATERIAL



**10' HD V-BOOM ASSEMBLY W/TIEBACK
(3' STANDOFF)
W/CROSSOVER PLATE KITS (2 3/8-2 3/8)**

REV	DATE	DRW	CHK	DESCRIPTION
2	10/19/16	KLE	DEL	ADDED INSTALLATION NOTES
1	02/15/16	KLE	EK	ADDED PACKAGING NOTE

CONFIDENTIAL
This document and the information contained herein is the confidential trade secret property of Sabre Communications Corporation ("Sabre") and must not be reproduced, copied or used, in whole or in part, for any purpose without the prior written consent of Sabre.
© 2016 Sabre Communications Corporation. All rights reserved.

DATE	01/16/16	SIZE	B	DRAWING NO.	C10857022C	REV	2
DRAWN BY	WRF	CHECKED BY	EK	SCALE	None	PAGE	3 OF 3